

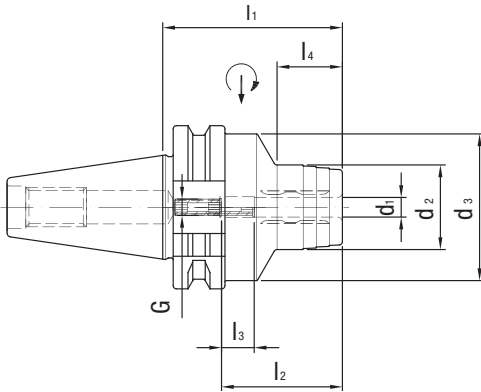
31 avenue des lacs 74950 SCIONZIER
Tel : 04 50 18 030 27 Fax : 04 50 18 30 28
md@mecadiffusion.net
www.mecadiffusion.com



www.mecadiffusion.com

Hydraulic Chuck ISO 7388-1, Form AD

(prev. DIN 69871-AD), short narrow design



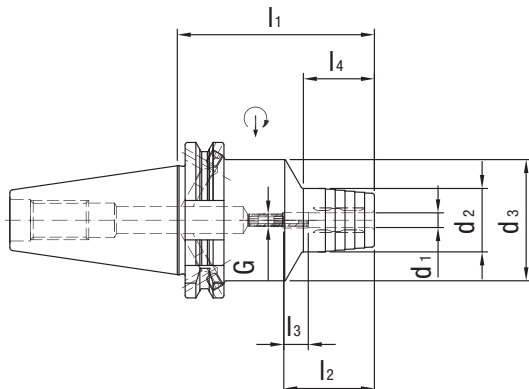
Nominal size SK/ISO	Dimensions							G	sw	Weight [kg]	Order designation	Order No.
	d_1	d_2	d_3	l_1	l_2	l_3	l_4					
30	6	26	45	55	37	10	20	M5	2.5	0.6	15.507.30.06.Z	30336701
30	8	28	45	55	37	10	20	M6	3	0.6	15.507.30.08.Z	30336702
30	10	30	45	55	41	10	21	M8x1	3	0.6	15.507.30.10.Z	30336703
30	12	32	45	55	46	10	22	M8x1	3	0.6	15.507.30.12.Z	30336704
30	14	34	45	90	46	10	42	M8x1	3	0.7	15.507.30.14.Z	30336705
30	16	38	45	90	49	10	50	M8x1	3	0.7	15.507.30.16.Z	30336706
30	18	40	45	90	49	10	50	M8x1	3	0.7	15.507.30.18.Z	30336707
30	20	42	45	90	51	10	50	M8x1	3	0.7	15.507.30.20.Z	30336708

Dimensions in mm.

Spare parts and accessories at the end of this chapter.

Hydraulic Chuck ISO 7388-1, Form AD/AF

(prev. DIN 69871-AD/B), short narrow design



Nominal size SK/ISO	Dimensions							G	sw	Weight [kg]	Order designation	Order No.
	d_1	d_2	d_3	l_1	l_2	l_3	l_4					
40	6	26	49.5	80.5	37	10	29.5	M5	2.5	1.3	15.507.40.06.Z	30336709
40	8	28	49.5	80.5	37	10	30	M6	3	1.3	15.507.40.08.Z	30336712
40	10	30	49.5	80.5	41	10	35	M8x1	3	1.3	15.507.40.10.Z	30336715
40	12	32	49.5	80.5	46	10	40	M10x1	5	1.3	15.507.40.12.Z	30336719
40	14	34	49.5	80.5	46	10	40	M10x1	5	1.3	15.507.40.14.Z	30336723
40	16	38	49.5	80.5	49	10	45	M12x1	5	1.4	15.507.40.16.Z	30336726
40	18	40	49.5	80.5	49	10	46	M12x1	5	1.3	15.507.40.18.Z	30336729
40	20	42	49.5	80.5	51	10	47	M16x1	8	1.3	15.507.40.20.Z	30336732
40	25	55	63	80.5	57	10	28	M16x1	8	1.6	15.507.40.25.Z	30336736
40	32	63	70	80.5	61	10	25.5	M16x1	8	1.7	15.507.40.32.Z	30336739

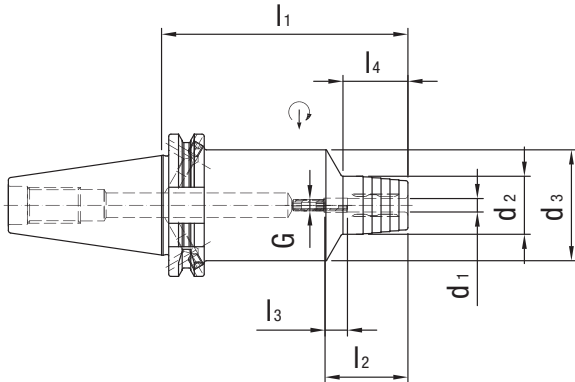
Dimensions in mm.

Basic form AD. Please indicate form AF (prev. B) in your order.

Spare parts and accessories at the end of this chapter. Custom designs available on request.

Hydraulic Chuck ISO 7388-1, Form AD/AF

(prev. DIN 69871-AD/B), long narrow design



Nominal size SK/ISO	Dimensions							G	sw	Weight [kg]	Order designation	Order No.
	d ₁	d ₂	d ₃	l ₁	l ₂	l ₃	l ₄					
40	6	26	49.5	110	37	10	29	M5	2.5	1.7	15.507.40.06.Z/110	30336711
40	8	28	49.5	110	37	10	30	M6	3	1.8	15.507.40.08.Z/110	30336714
40	10	30	49.5	110	41	10	35	M8x1	3	1.8	15.507.40.10.Z/110	30336717
40	12	32	49.5	110	46	10	40	M10x1	5	1.8	15.507.40.12.Z/110	30336722
40	14	34	49.5	110	46	10	40	M10x1	5	1.8	15.507.40.14.Z/110	30336725
40	16	38	49.5	110	49	10	45	M12x1	5	1.8	15.507.40.16.Z/110	30336728
40	18	40	49.5	110	49	10	46	M12x1	5	1.9	15.507.40.18.Z/110	30336731
40	20	42	49.5	110	51	10	47	M16x1	8	1.9	15.507.40.20.Z/110	30336735
40	25	55	63	110	57	10	28	M16x1	8	2.3	15.507.40.25.Z/110	30336738
40	32	63	59	110	61	10	59	M16x1	8	2.4	15.507.40.32.Z/110	30336741

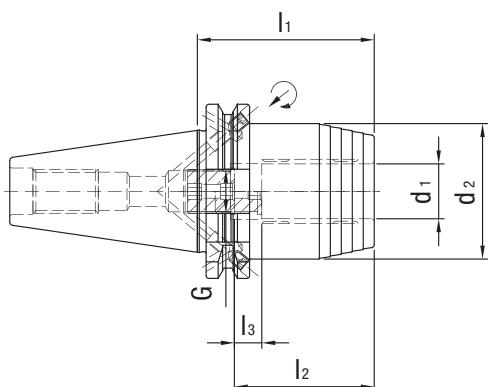
Dimensions in mm.

Basic form AD. Please indicate form AF (prev. B) in your order.

Spare parts and accessories at the end of this chapter. Custom designs available on request.

Hydraulic Chuck ISO 7388-1, Form AD/AF

(prev. DIN 69871-AD/B), short heavy duty design



Nominal size SK/ISO	Dimensions					G	sw	Weight [kg]	Order designation	Order No.
	d_1	d_2	l_1	l_2	l_3					
40	20	49.5	64.5	51	10	M16x1	8	1.3	15.508.40.20.Z	30337087

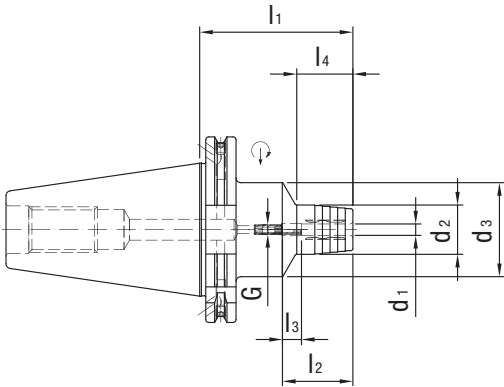
Dimensions in mm.

Basic form AD. Please indicate form AF (prev. B) in your order.

Spare parts and accessories at the end of this chapter. Custom designs available on request.

Hydraulic Chuck ISO 7388-1, Form AD/AF

(prev. DIN 69871-AD/B), short narrow design



Nominal size SK/ISO	Dimensions							G	sw	Weight [kg]	Order designation	Order No.
	d_1	d_2	d_3	l_1	l_2	l_3	l_4					
50	6	26	49.5	80.5	37	10	29.5	M5	2.5	3.2	15.507.50.06.Z	30336743
50	8	28	49.5	80.5	37	10	30	M6	3	3.3	15.507.50.08.Z	30336746
50	10	30	49.5	80.5	41	10	35	M8x1	3	3.3	15.507.50.10.Z	30336749
50	12	32	49.5	80.5	46	10	40	M10x1	5	3.3	15.507.50.12.Z	30336752
50	14	34	49.5	80.5	46	10	40	M10x1	5	3.3	15.507.50.14.Z	30336755
50	16	38	49.5	80.5	49	10	45	M12x1	5	3.3	15.507.50.16.Z	30336758
50	18	40	49.5	80.5	49	10	46	M12x1	5	3.3	15.507.50.18.Z	30336761
50	20	42	49.5	80.5	51	10	42	M16x1	8	3.3	15.507.50.20.Z	30336764
50	25	55	63	100	57	10	48	M16x1	8	3.8	15.507.50.25.Z	30336767
50	32	63	70	100	61	10	61	M16x1	8	4.2	15.507.50.32.Z	30336770

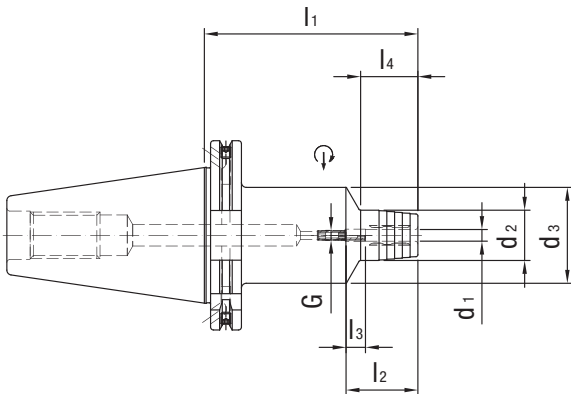
Dimensions in mm.

Basic form AD. Please indicate form AF (prev. B) in your order.

Spare parts and accessories at the end of this chapter. Custom designs available on request.

Hydraulic Chuck ISO 7388-1, Form AD/AF

(prev. DIN 69871-AD/B), long narrow design



Nominal size SK/ISO	Dimensions							G	sw	Weight [kg]	Order designation	Order No.
	d ₁	d ₂	d ₃	l ₁	l ₂	l ₃	l ₄					
50	6	26	49.5	110	37	10	29	M5	2.5	4.1	15.507.50.06.Z/110	30336745
50	8	28	49.5	110	37	10	30	M6	3	4.1	15.507.50.08.Z/110	30336748
50	10	30	49.5	110	41	10	35	M8x1	3	4.1	15.507.50.10.Z/110	30336751
50	12	32	49.5	110	46	10	40	M10x1	5	4.3	15.507.50.12.Z/110	30336754
50	14	34	49.5	110	46	10	40	M10x1	5	4.3	15.507.50.14.Z/110	30336757
50	16	38	49.5	110	49	10	45	M12x1	5	4.3	15.507.50.16.Z/110	30336760
50	18	40	49.5	110	49	10	46	M12x1	5	4.5	15.507.50.18.Z/110	30336763
50	20	42	49.5	110	51	10	42	M16x1	8	4.5	15.507.50.20.Z/110	30336766
50	25	55	63	110	57	10	48	M16x1	8	4.7	15.507.50.25.Z/110	30336769
50	32	63	70	110	61	10	61	M16x1	8	4.8	15.507.50.32.Z/110	30336772

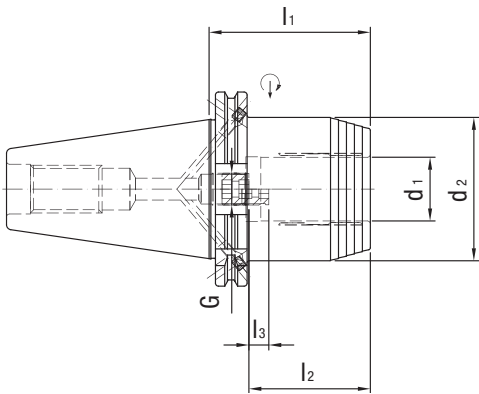
Dimensions in mm.

Basic form AD. Please indicate form AF (prev. B) in your order.

Spare parts and accessories at the end of this chapter. Custom designs available on request.

Hydraulic Chuck ISO 7388-1, Form AD/AF

(prev. DIN 69871-AD/B), short heavy duty design



Chip ISO 7388-1 Form AD/AF 3 μ m h6 G 2.5 25000 RPM

Nominal size SK/ISO	Dimensions					G	sw	Weight [kg]	Order designation	Order No.
	d_1	d_2	l_1	l_2	l_3					
50	32	72	81	61	10	M16x1	8	3.9	15.508.50.32.Z	30337089

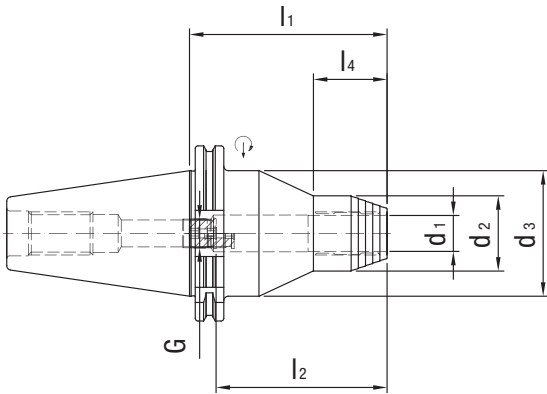
Dimensions in mm.

Basic form AD. Please indicate form AF (prev. B) in your order.

Spare parts and accessories at the end of this chapter. Custom designs available on request.

Hydraulic Chuck ISO 7388-1, Form AD

(prev. DIN 69871-AD), for tool grinders and grinding machines



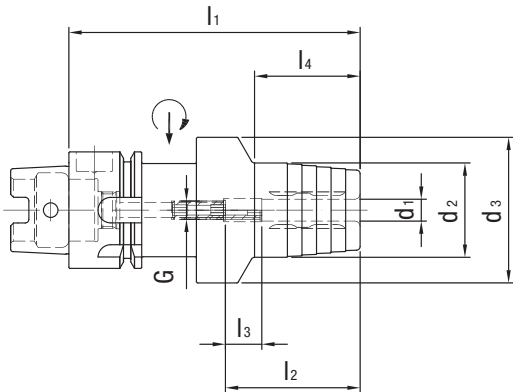
Nominal size SK/ISO	Dimensions						G	sw	Weight [kg]	Order designation	Order No.
	d_1	d_2	d_3	l_1	l_2	l_4					
50	6	32	60	110	43	45	M5	2.5	3.6	15.509.50.06	30336773
50	8	33.5	60	110	43	50	M6	3	3.6	15.509.50.08	30336774
50	10	35	60	110	43	50	M8x1	3	3.7	15.509.50.10	30336775
50	12	36.5	60	110	50	55	M10x1	5	3.7	15.509.50.12	30336776
50	14	38	60	110	50	60	M10x1	5	3.7	15.509.50.14	30336777
50	16	39.5	60	110	53	60	M12x1	5	3.8	15.509.50.16	30336778
50	18	41	60	110	53	60	M12x1	5	3.8	15.509.50.18	30336779
50	20	42	70	110	95	41	M16x1	8	3.9	15.509.50.20	30336780
50	22	44	70	110	95	43	M16x1	8	3.9	15.509.50.22	30336781
50	25	47	70	110	95	40	M16x1	8	3.9	15.509.50.25	30336782
50	32	54	70	110	95	56	M16x1	8	4	15.509.50.32	30336783

Dimensions in mm.

Spare parts and accessories at the end of this chapter. Custom designs available on request.

Hydraulic Chuck DIN 69893-A

Short narrow design



Nominal size HSK-A	Dimensions							G	sw	Weight [kg]	Order designation	Order No.
	d_1	d_2	d_3	l_1	l_2	l_3	l_4					
32	6	26	40	80	37	10	29	M5	2.5	0.5	16.507.32.06.Z	30336816
32	8	28	40	80	37	10	29	M6	3	0.5	16.507.32.08.Z	30336817
32	10	30	40	85	41	10	35	M6	3	0.5	16.507.32.10.Z	30336818
32	12	32	40	90	46	10	40	M6	3	0.5	16.507.32.12.Z	30336819

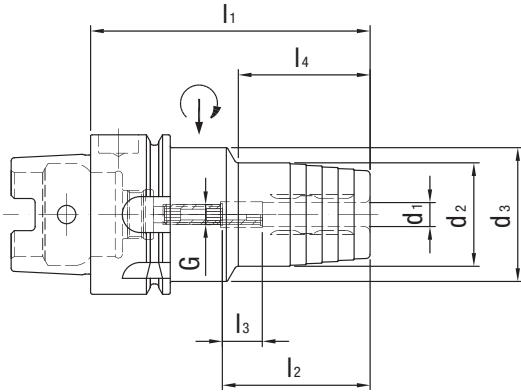
Dimensions in mm.

Spare parts and accessories at the end of this chapter.

MQL-capable design possible on request. Custom designs available on request.

Hydraulic Chuck DIN 69893-A

Short narrow design



Nominal size HSK-A	Dimensions							G	sw	Weight [kg]	Order designation	Order No.
	d_1	d_2	d_3	l_1	l_2	l_3	l_4					
40	6	26	33.5	70	37	10	36	M5	2.5	0.4	16.507.40.06.Z	30336820
40	8	28	33.5	70	37	10	36	M6	3	0.5	16.507.40.08.Z	30336821
40	10	30	33.5	75	41	10	42	M6	3	0.5	16.507.40.10.Z	30336822
40	12	32	33.5	80	46	10	48	M6	3	0.6	16.507.40.12.Z	30336823

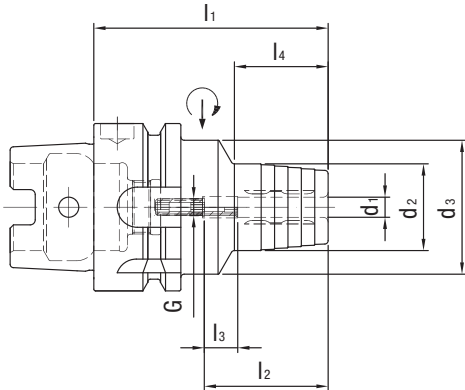
Dimensions in mm.

Spare parts and accessories at the end of this chapter.

MQL-capable design possible on request. Custom designs available on request.

Hydraulic Chuck DIN 69893-A

Short narrow design



Nominal size HSK-A	Dimensions							G	sw	Weight [kg]	Order designation	Order No.
	d_1	d_2	d_3	l_1	l_2	l_3	l_4					
50	6	26	40	70	37	10	28	M5	2.5	0.9	16.507.50.06.Z	30336824
50	8	28	40	70	37	10	28	M6	3	0.9	16.507.50.08.Z	30336825
50	10	30	40	75	41	10	34	M8x1	3	0.9	16.507.50.10.Z	30336826
50	12	32	40	85	46	10	44	M10x1	5	1	16.507.50.12.Z	30336827
50	14	34	40	85	46	10	44	M10x1	5	1	16.507.50.14.Z	30336828
50	16	38	53	90	49	10	30	M12x1	5	1.2	16.507.50.16.Z	30336829
50	18	40	53	90	49	10	30	M12x1	5	1.2	16.507.50.18.Z	30336830
50	20	42	57	90	51	10	29	M16x1	5	1.2	16.507.50.20.Z	30336831

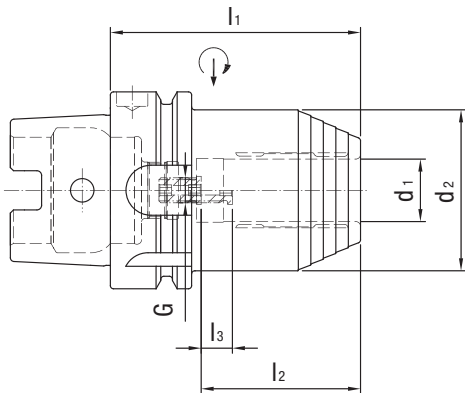
Dimensions in mm.

Spare parts and accessories at the end of this chapter.

MQL-capable design possible on request. Custom designs available on request.

Hydraulic Chuck DIN 69893-A

Short heavy duty design



Nominal size HSK-A	Dimensions					G	sw	Weight [kg]	Order designation	Order No.
	d_1	d_2	l_1	l_2	l_3					
63	20	51.5	80	51	10	M8x1	3	1.5	16.508.63.20.Z	30337091

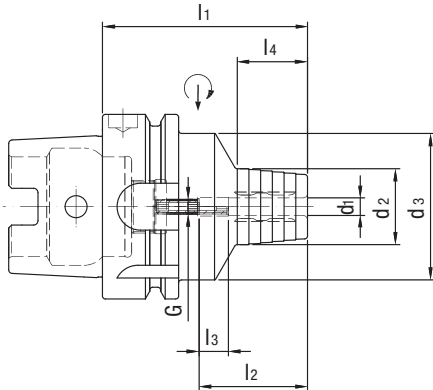
Dimensions in mm.

Spare parts and accessories at the end of this chapter.

MQL-capable design possible on request. Custom designs available on request.

Hydraulic Chuck DIN 69893-A

Short narrow design



Nominal size HSK-A	Dimensions							G	sw	Weight [kg]	Order designation	Order No.
	d_1	d_2	d_3	l_1	l_2	l_3	l_4					
63	6	26	50	70	37	10	24	M5	2.5	0.9	16.507.63.06.Z	30336832
63	8	28	50	70	37	10	25	M6	3	0.9	16.507.63.08.Z	30336837
63	10	30	50	80	41	10	35	M8x1	3	1	16.507.63.10.Z	30336842
63	12	32	50	85	46	10	40	M10x1	5	1	16.507.63.12.Z	30336847
63	14	34	50	85	46	10	40	M10x1	5	1.1	16.507.63.14.Z	30336852
63	16	38	50	90	49	10	46	M12x1	5	1.2	16.507.63.16.Z	30336857
63	18	40	50	90	49	10	47	M12x1	5	1.2	16.507.63.18.Z	30336862
63	20	42	50	90	51	10	48	M16x1	5	1.2	16.507.63.20.Z	30336867
63	25	57	53	120	57	10	63	M16x1	5	2.1	16.507.63.25.Z	30336873
63	32	63	59	125	61	10	61	M16x1	5	2.3	16.507.63.32.Z	30336875

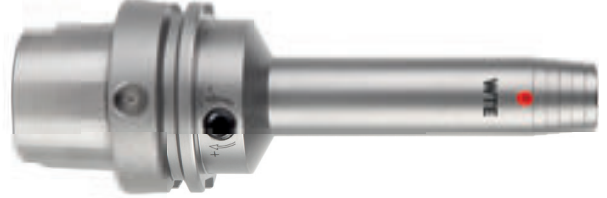
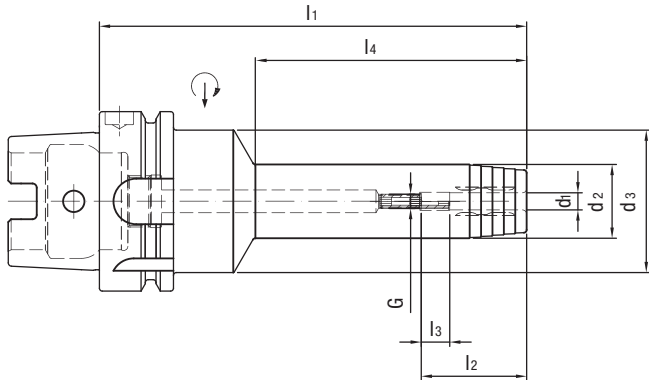
Dimensions in mm.

Spare parts and accessories at the end of this chapter.

MQL-capable design possible on request. Custom designs available on request.

Hydraulic Chuck DIN 69893-A

Long narrow design



Nominal size HSK-A	Dimensions							G	sw	Weight [kg]	Order designation	Order No.
	d_1	d_2	d_3	l_1	l_2	l_3	l_4					
63	6	26	50	120	37	10	73	M5	2.5	1.2	16.507.63.06.Z/120	30336834
63	6	26	50	150	37	10	103	M5	2.5	1.7	16.507.63.06.Z/150	30336835
63	6	26	50	200	37	10	153	M5	2.5	1.9	16.507.63.06.Z/200	30336836
63	8	28	50	120	37	10	74	M6	3	1.2	16.507.63.08.Z/120	30336839
63	8	28	50	150	37	10	104	M6	3	1.7	16.507.63.08.Z/150	30336840
63	8	28	50	200	37	10	154	M6	3	1.9	16.507.63.08.Z/200	30336841
63	10	30	50	120	41	10	74	M8x1	3	1.2	16.507.63.10.Z/120	30336844
63	10	30	50	150	41	10	104	M8x1	3	1.7	16.507.63.10.Z/150	30336845
63	10	30	50	200	41	10	154	M8x1	3	1.9	16.507.63.10.Z/200	30336846
63	12	32	50	120	46	10	75	M10x1	5	1.3	16.507.63.12.Z/120	30336849
63	12	32	50	150	46	10	105	M10x1	5	1.7	16.507.63.12.Z/150	30336850
63	12	32	50	200	46	10	155	M10x1	5	1.9	16.507.63.12.Z/200	30336851
63	14	34	50	120	46	10	75	M10x1	5	1.3	16.507.63.14.Z/120	30336854
63	14	34	50	150	46	10	105	M10x1	5	1.9	16.507.63.14.Z/150	30336855
63	14	34	50	200	46	10	155	M10x1	5	2.1	16.507.63.14.Z/200	30336856
63	16	38	50	120	49	10	76	M12x1	5	1.4	16.507.63.16.Z/120	30336859
63	16	38	50	150	49	10	106	M12x1	5	2	16.507.63.16.Z/150	30336860
63	16	38	50	200	49	10	156	M12x1	5	2.3	16.507.63.16.Z/200	30336861
63	18	40	50	120	49	10	77	M12x1	5	1.5	16.507.63.18.Z/120	30336864
63	18	40	50	150	49	10	107	M12x1	5	2.1	16.507.63.18.Z/150	30336865
63	18	40	50	200	49	10	157	M12x1	5	2.4	16.507.63.18.Z/200	30336866
63	20	42	50	120	51	10	78	M16x1	5	1.5	16.507.63.20.Z/120	30336870
63	20	42	50	150	51	10	108	M16x1	5	2.1	16.507.63.20.Z/150	30336871
63	20	42	50	200	51	10	158	M16x1	5	2.4	16.507.63.20.Z/200	30336872

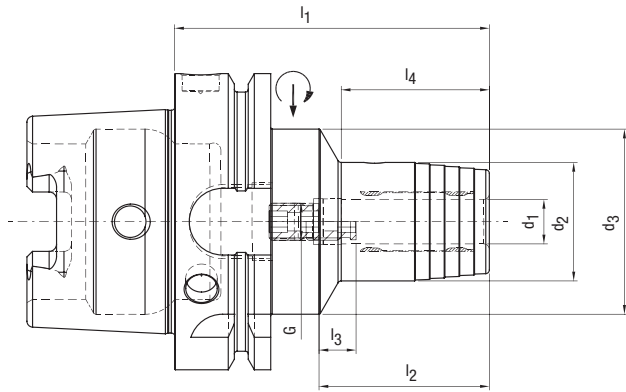
Dimensions in mm.

Spare parts and accessories at the end of this chapter.

MQL-capable design possible on request. Custom designs available on request.

Hydraulic Chuck DIN 69893-A

Short narrow design



Nominal size HSK-A	Dimensions							G	sw	Weight [kg]	Order designation	Order No.
	d_1	d_2	d_3	l_1	l_2	l_3	l_4					
80	6	26	50	70	37	10	24	M5	2.5	1.4	16.507.80.06.Z	30432279
80	8	28	50	70	37	10	24	M6	3	1.4	16.507.80.08.Z	30432282
80	10	30	50	80	41	10	35	M8x1	3	1.5	16.507.80.10.Z	30432285
80	12	32	50	85	46	10	40	M10x1	5	1.6	16.507.80.12.Z	30432287
80	14	34	50	85	46	10	40	M10x1	5	1.6	16.507.80.14.Z	30432288
80	16	38	50	95	49	10	51	M12x1	5	1.6	16.507.80.16.Z	30409104
80	18	40	50	95	49	10	51	M12x1	5	1.7	16.507.80.18.Z	30432290
80	20	42	50	95	51	10	51	M16x1	8	1.7	16.507.80.20.Z	30432292
80	25	57	63	110	57	10	65	M16x1	8	2.6	16.507.80.25.Z	30432295
80	32	63	63	125	61	10	63	M16x1	8	3.1	16.507.80.32.Z	30432301

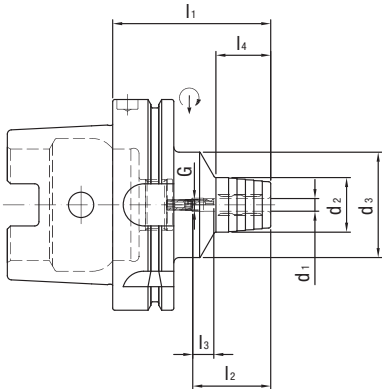
Dimensions in mm.

Spare parts and accessories at the end of this chapter.

MQL-capable design possible on request. Custom designs available on request.

Hydraulic Chuck DIN 69893-A

Short narrow design



Nominal size HSK-A	Dimensions							G	sw	Weight [kg]	Order designation	Order No.
	d_1	d_2	d_3	l_1	l_2	l_3	l_4					
100	6	26	50	75	37	10	26	M5	2.5	2.3	16.507.100.06.Z	30336784
100	8	28	50	75	37	10	26	M6	3	2.3	16.507.100.08.Z	30336788
100	10	30	50	90	41	10	42	M8x1	3	2.5	16.507.100.10.Z	30336792
100	12	32	50	95	46	10	47	M10x1	5	2.5	16.507.100.12.Z	30336796
100	14	34	50	95	46	10	47	M10x1	5	2.5	16.507.100.14.Z	30336800
100	16	38	50	100	49	10	53	M12x1	5	2.6	16.507.100.16.Z	30336802
100	18	40	50	100	49	10	53	M12x1	5	2.6	16.507.100.18.Z	30336806
100	20	42	50	105	51	10	59	M16x1	8	2.7	16.507.100.20.Z	30336808
100	25	57	63	110	57	10	62	M16x1	8	3.3	16.507.100.25.Z	30336812
100	32	63	67	110	61	10	60	M16x1	8	3.5	16.507.100.32.Z	30336814

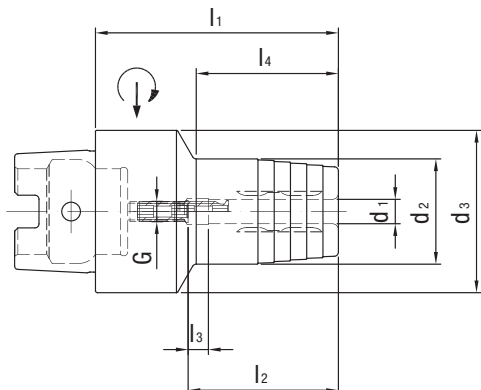
Dimensions in mm.

Spare parts and accessories at the end of this chapter.

MQL-capable design possible on request. Custom designs available on request.

Hydraulic Chuck DIN 69893-C

Short narrow design, for manual change



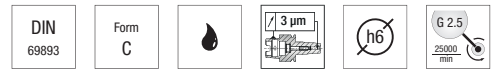
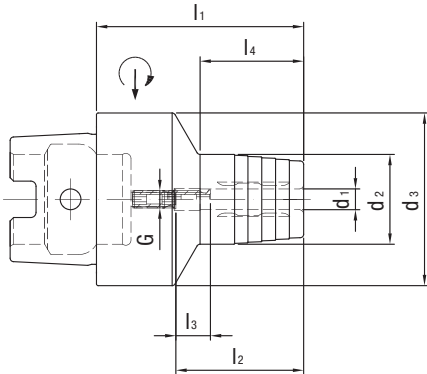
Nominal size HSK-C	Dimensions							G	sw	Weight [kg]	Order designation	Order No.
	d ₁	d ₂	d ₃	l ₁	l ₂	l ₃	l ₄					
40	6	26	40	60	37	10	35	M5	2.5	0.5	23.507.40.06.Z	30337045
40	8	28	40	60	37	10	36	M6	3	0.5	23.507.40.08.Z	30337046
40	10	30	40	65	41	10	41	M6	3	0.6	23.507.40.10.Z	30337047
40	12	32	40	70	46	10	47	M6	3	0.6	23.507.40.12.Z	30337048

Dimensions in mm.

Spare parts and accessories at the end of this chapter. Custom designs available on request.

Hydraulic Chuck DIN 69893-C

Short narrow design, for manual change



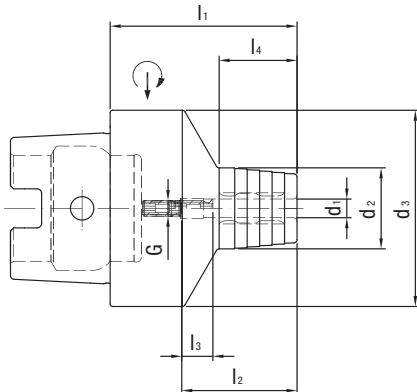
Nominal size HSK-C	Dimensions							G	sw	Weight [kg]	Order designation	Order No.
	d_1	d_2	d_3	l_1	l_2	l_3	l_4					
50	6	26	50	60	37	10	30	M5	2.5	0.7	23.507.50.06.Z	30337049
50	8	28	50	60	37	10	30	M6	3	0.7	23.507.50.08.Z	30337050
50	10	30	50	65	41	10	35	M8x1	3	1	23.507.50.10.Z	30337051
50	12	32	50	75	46	10	40	M10x1	5	0.9	23.507.50.12.Z	30337052
50	14	34	50	75	46	10	40	M10x1	5	0.8	23.507.50.14.Z	30337053
50	16	38	50	80	49	10	50	M12x1	5	1.1	23.507.50.16.Z	30337054
50	18	40	50	80	49	10	50	M12x1	5	1.4	23.507.50.18.Z	30337055
50	20	42	50	80	51	10	50	M16x1	5	1.2	23.507.50.20.Z	30337056
50	25	49.5	50	90	57	10	59	M16x1	5	1.1	23.507.50.25.Z	30337057

Dimensions in mm.

Spare parts and accessories at the end of this chapter. Custom designs available on request.

Hydraulic Chuck DIN 69893-C

Short narrow design, for manual change



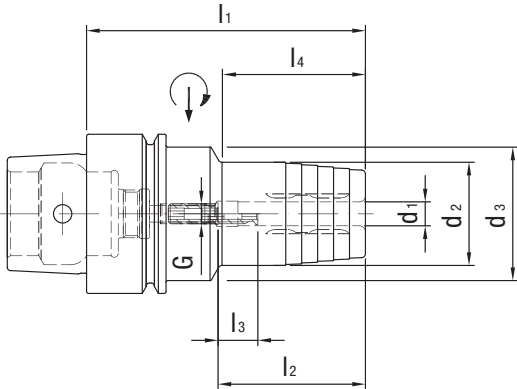
Nominal size HSK-C	Dimensions							G	sw	Weight [kg]	Order designation	Order No.
	d_1	d_2	d_3	l_1	l_2	l_3	l_4					
63	6	26	63	60	37	10	25	M5	2.5	1	23.507.63.06.Z	30337058
63	8	28	63	60	37	10	25	M6	3	1	23.507.63.08.Z	30337059
63	10	30	63	65	41	10	31	M8x1	3	1	23.507.63.10.Z	30337060
63	12	32	63	75	46	10	41	M10x1	5	1.1	23.507.63.12.Z	30337061
63	14	34	63	75	46	10	42	M10x1	5	1.1	23.507.63.14.Z	30337062
63	16	38	63	80	49	10	48	M12x1	5	1.1	23.507.63.16.Z	30337063
63	18	40	63	80	49	10	48	M12x1	5	1.2	23.507.63.18.Z	30337064
63	20	42	63	80	51	10	49	M16x1	5	1.2	23.507.63.20.Z	30337065
63	25	58	63	95	57	10	63	M16x1	5	2	23.507.63.25.Z	30337066
63	32	62	63	100	61	10	60	M16x1	5	2.1	23.507.63.32.Z	30337067

Dimensions in mm.

Spare parts and accessories at the end of this chapter. Custom designs available on request.

Hydraulic Chuck DIN 69893-E

Short narrow design, for automatic change



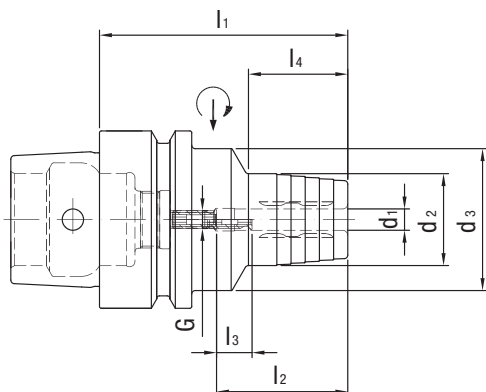
Nominal size HSK-E	Dimensions							G	sw	Weight [kg]	Order designation	Order No.
	d_1	d_2	d_3	l_1	l_2	l_3	l_4					
40	6	26	33.5	70	37	10	36	M5	2.5	0.5	18.507.40.06.Z	30336886
40	8	28	33.5	70	37	10	36	M6	3	0.5	18.507.40.08.Z	30336887
40	10	30	33.5	75	41	10	42	M6	3	0.6	18.507.40.10.Z	30336888
40	12	32	33.5	80	46	10	48	M6	3	0.6	18.507.40.12.Z	30336889

Dimensions in mm.

Spare parts and accessories at the end of this chapter. Custom designs available on request.

Hydraulic Chuck DIN 69893-E

Short narrow design, for automatic change



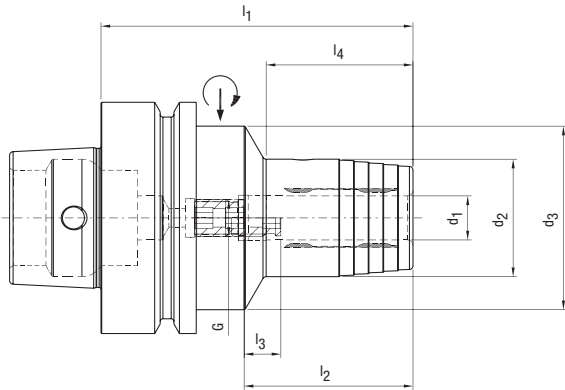
Nominal size HSK-E	Dimensions							G	sw	Weight [kg]	Order designation	Order No.
	d_1	d_2	d_3	l_1	l_2	l_3	l_4					
50	6	26	40	70	37	10	28	M5	2.5	0.9	18.507.50.06.Z	30336892
50	8	28	40	70	37	10	28	M6	3	0.9	18.507.50.08.Z	30336893
50	10	30	40	75	41	10	34	M8x1	3	1	18.507.50.10.Z	30336894
50	12	32	40	85	46	10	44	M10x1	5	1	18.507.50.12.Z	30336895
50	14	34	40	85	46	10	44	M10x1	5	1	18.507.50.14.Z	30336896
50	16	38	42	90	49	10	30	M12x1	5	1	18.507.50.16.Z	30336897
50	18	40	42	90	49	10	29	M12x1	5	1.2	18.507.50.18.Z	30336898
50	20	42	42	90	51	10	29	M16x1	5	1.2	18.507.50.20.Z	30336899

Dimensions in mm.

Spare parts and accessories at the end of this chapter. Custom designs available on request.

Hydraulic Chuck DIN 69893-F

Short narrow design, for automatic change



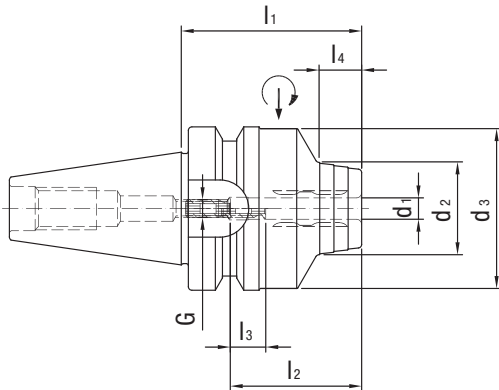
Nominal size HSK-F	Dimensions							G	sw	Weight [kg]	Order designation	Order No.
	d_1	d_2	d_3	l_1	l_2	l_3	l_4					
63	6	26	50	70	37	10	24	M5	2.5	1	17.507.63.06	30336877
63	8	28	50	70	37	10	25	M6	3	1	17.507.63.08	30336878
63	10	30	50	80	41	10	35	M8x1	3	1.1	17.507.63.10	30336879
63	12	32	50	85	46	10	40	M10x1	5	1.1	17.507.63.12	30336880
63	14	34	50	85	46	10	40	M10x1	5	1.2	17.507.63.14	30336881
63	16	38	50	90	49	10	46	M12x1	5	1.2	17.507.63.16	30336882
63	18	40	50	90	49	10	47	M12x1	5	1.4	17.507.63.18	30336883
63	20	42	50	90	51	10	48	M16x1	5	1.4	17.507.63.20	30336884
63	25	57	53	120	57	10	63	M16x1	5	2.1	17.507.63.25	30336885

Dimensions in mm.

Spare parts and accessories at the end of this chapter. Custom designs available on request.

Hydraulic Chuck ISO 7388-2 (JIS B6339)

Short narrow design, coolant supply as per ISO 7388-2, Form JD



Nominal size BT	Dimensions							G	sw	Weight [kg]	Order designation	Order No.
	d_1	d_2	d_3	l_1	l_2	l_3	l_4					
30	6	26	45	50.8	37	10	12	M5	2.5	0.7	22.507.30.06.Z	30336900
30	8	28	45	50.8	37	10	12.5	M6	3	0.7	22.507.30.08.Z	30336905
30	10	30	45	50.8	41	10	13	M8x1	3	0.7	22.507.30.10.Z	30336910
30	12	32	45	50.8	46	10	14	M8x1	3	0.7	22.507.30.12.Z	30336915
30	14	34	45	90	46	10	45	M8x1	3	1	22.507.30.14.Z	30336920
30	16	38	45	90	49	10	50	M8x1	3	1	22.507.30.16.Z	30336921
30	18	40	45	90	49	10	50	M8x1	3	1	22.507.30.18.Z	30336924
30	20	42	45	90	51	10	50	M8x1	3	1	22.507.30.20.Z	30336925

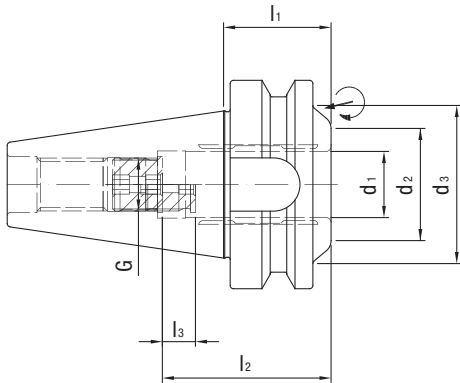
Dimensions in mm.

Spare parts and accessories at the end of this chapter.

Version with face connection on request. Custom designs available on request.

Hydraulic Chuck ISO 7388-2 (JIS B6339)

Ultrakurze Ausführung, coolant supply as per ISO 7388-2, Form JD



Nominal size BT	Dimensions						G	sw	Weight [kg]	Order designation	Order No.
	d_1	d_2	d_3	l_1	l_2	l_3					
40	20	34	48	32.5	51	10	M16x1	8	0.7	22.501.40.20.Z	30411484

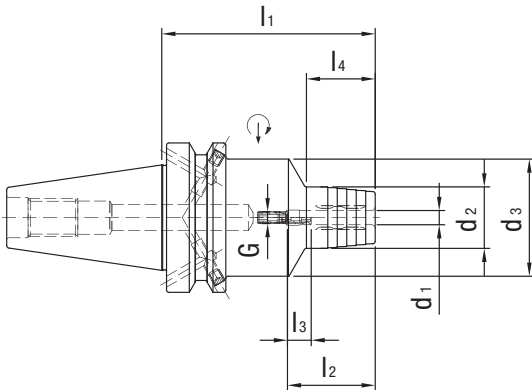
Dimensions in mm.

Spare parts and accessories at the end of this chapter.

Version with face connection on request. Custom designs available on request.

Hydraulic Chuck ISO 7388-2 (JIS B6339)

Short narrow design, coolant supply as per ISO 7388-2, Form JD/JF



Nominal size BT	Dimensions							G	sw	Weight [kg]	Order designation	Order No.
	d_1	d_2	d_3	l_1	l_2	l_3	l_4					
40	6	26	49.5	90	37	10	29	M5	2.5	1.5	22.507.40.06.Z	30336927
40	8	28	49.5	90	37	10	30	M6	3	1.6	22.507.40.08.Z	30336933
40	10	30	49.5	90	41	10	35	M8x1	3	1.6	22.507.40.10.Z	30336939
40	12	32	49.5	90	46	10	40	M10x1	5	1.6	22.507.40.12.Z	30336946
40	14	34	49.5	90	46	10	40	M10x1	5	1.6	22.507.40.14.Z	30336953
40	16	38	49.5	90	49	10	45	M12x1	5	1.6	22.507.40.16.Z	30336958
40	18	40	49.5	90	49	10	46	M12x1	5	1.6	22.507.40.18.Z	30336964
40	20	42	49.5	90	51	10	47	M16x1	8	1.6	22.507.40.20.Z	30336969
40	25	55	52	90	57	10	50	M16x1	8	1.9	22.507.40.25.Z	30336975
40	32	63	62	90	61	10	48	M16x1	8	2.1	22.507.40.32.Z	30336982

Dimensions in mm.

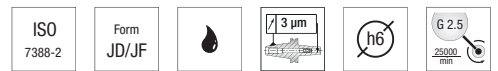
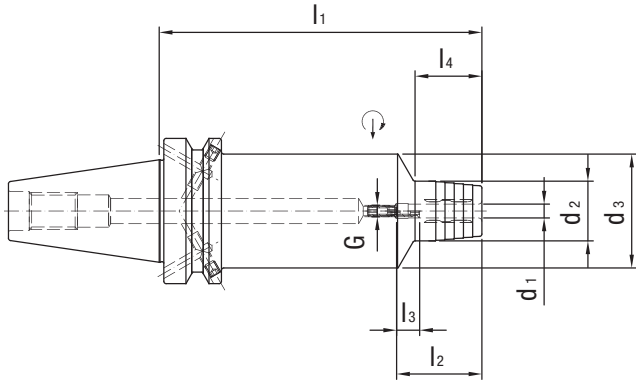
Basic form JD. Please indicate form JF (prev. B) in your order.

Spare parts and accessories at the end of this chapter.

Version with face connection on request. Custom designs available on request.

Hydraulic Chuck ISO 7388-2 (JIS B6339)

Long narrow design, coolant supply as per ISO 7388-2, Form JD/JF



Nominal size BT	Dimensions							G	sw	Weight [kg]	Order designation	Order No.
	d_1	d_2	d_3	l_1	l_2	l_3	l_4					
40	6	26	49.5	140	37	10	29	M5	2.5	2.1	22.507.40.06.Z/140	30336930
40	8	28	49.5	140	37	10	30	M6	3	2.1	22.507.40.08.Z/140	30336936
40	10	30	49.5	140	41	10	35	M8x1	3	2.1	22.507.40.10.Z/140	30336943
40	12	32	49.5	140	46	10	40	M10x1	5	2.1	22.507.40.12.Z/140	30336950
40	14	34	49.5	140	46	10	40	M10x1	5	2.1	22.507.40.14.Z/140	30336956
40	16	38	49.5	140	49	10	45	M12x1	5	2.1	22.507.40.16.Z/140	30336961
40	18	40	49.5	140	49	10	46	M12x1	5	2.1	22.507.40.18.Z/140	30336967
40	20	42	49.5	140	51	10	47	M16x1	8	2.1	22.507.40.20.Z/140	30336973
40	25	55	52	140	57	10	75	M16x1	8	2.8	22.507.40.25.Z/140	30336979
40	32	63	59	140	61	10	61	M16x1	8	2.9	22.507.40.32.Z/140	30336987

Dimensions in mm.

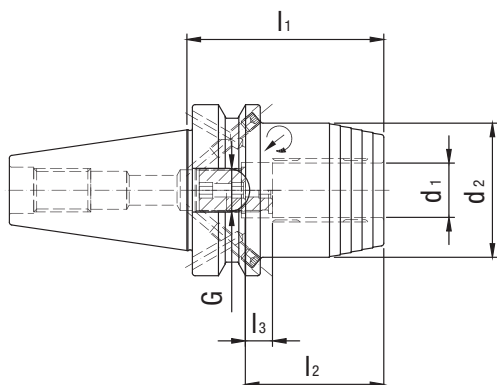
Basic form JD. Please indicate form JF (prev. B) in your order.

Spare parts and accessories at the end of this chapter.

Version with face connection on request. Custom designs available on request.

Hydraulic Chuck ISO 7388-2 (JIS B6339)

Short heavy duty design, coolant supply as per ISO 7388-2, Form JD/JF



Nominal size BT	Dimensions					G	sw	Weight [kg]	Order designation	Order No.
	d_1	d_2	l_1	l_2	l_3					
40	20	49.5	72.5	51	10	M16x1	8	1.5	22.508.40.20.Z	30337093

Dimensions in mm.

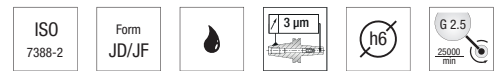
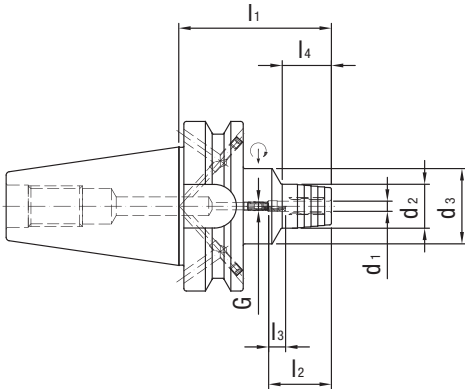
Basic form JD. Please indicate form JF (prev. B) in your order.

Spare parts and accessories at the end of this chapter.

Version with face connection on request. Custom designs available on request.

Hydraulic Chuck ISO 7388-2 (JIS B6339)

Short narrow design, coolant supply as per ISO 7388-2, Form JD/JF



Nominal size BT	Dimensions							G	sw	Weight [kg]	Order designation	Order No.
	d_1	d_2	d_3	l_1	l_2	l_3	l_4					
50	6	26	49.5	90	37	10	29	M5	2.5	4.2	22.507.50.06.Z	30336989
50	8	28	49.5	90	37	10	30	M6	3	4.2	22.507.50.08.Z	30336995
50	10	30	49.5	90	41	10	34	M8x1	3	4.2	22.507.50.10.Z	30337001
50	12	32	49.5	90	46	10	34	M10x1	5	4.2	22.507.50.12.Z	30337007
50	14	34	49.5	90	46	10	34	M10x1	5	4.2	22.507.50.14.Z	30337013
50	16	38	49.5	90	49	10	35	M12x1	5	4.2	22.507.50.16.Z	30337017
50	18	40	49.5	90	49	10	35	M12x1	5	4.2	22.507.50.18.Z	30337023
50	20	42	49.5	90	51	10	35	M16x1	8	4.2	22.507.50.20.Z	30337027
50	25	55	63	110	57	10	48	M16x1	8	4.6	22.507.50.25.Z	30337033
50	32	63	70	110	61	10	50	M16x1	8	5	22.507.50.32.Z	30337039

Dimensions in mm.

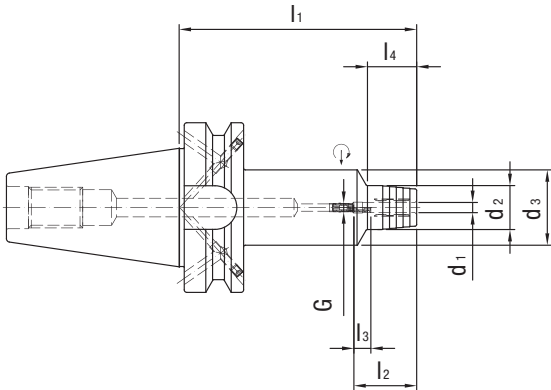
Basic form JD. Please indicate form JF (prev. B) in your order.

Spare parts and accessories at the end of this chapter.

Version with face connection on request. Custom designs available on request.

Hydraulic Chuck ISO 7388-2 (JIS B6339)

Long narrow design, coolant supply as per ISO 7388-2, Form JD/JF



Nominal size BT	Dimensions							G	sw	Weight [kg]	Order designation	Order No.
	d_1	d_2	d_3	l_1	l_2	l_3	l_4					
50	6	26	49.5	140	37	10	29	M5	2.5	5	22.507.50.06.Z/140	30336993
50	8	28	49.5	140	37	10	30	M6	3	5	22.507.50.08.Z/140	30336999
50	10	30	49.5	140	41	10	35	M8x1	3	5	22.507.50.10.Z/140	30337005
50	12	32	49.5	140	46	10	40	M10x1	5	5	22.507.50.12.Z/140	30337011
50	14	34	49.5	140	46	10	40	M10x1	5	5	22.507.50.14.Z/140	30337016
50	16	38	49.5	140	49	10	45	M12x1	5	5	22.507.50.16.Z/140	30337021
50	18	40	49.5	140	49	10	46	M12x1	5	5.1	22.507.50.18.Z/140	30337026
50	20	42	49.5	140	51	10	42	M16x1	8	5.1	22.507.50.20.Z/140	30337031
50	25	55	63	140	57	10	48	M16x1	8	5.5	22.507.50.25.Z/140	30337036
50	32	63	70	140	61	10	50	M16x1	8	5.7	22.507.50.32.Z/140	30337042

Dimensions in mm.

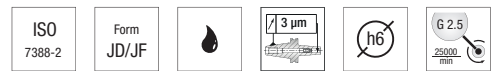
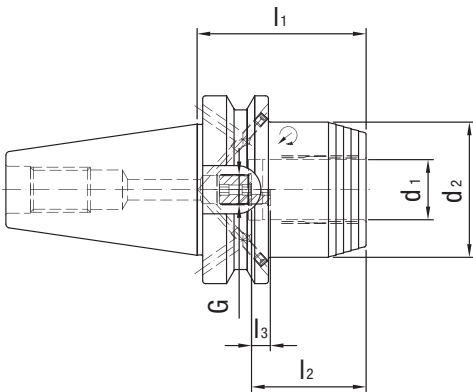
Basic form JD. Please indicate form JF (prev. B) in your order.

Spare parts and accessories at the end of this chapter.

Version with face connection on request. Custom designs available on request.

Hydraulic Chuck ISO 7388-2 (JIS B6339)

Short heavy duty design, coolant supply as per ISO 7388-2, Form JD/JF



Nominal size BT	Dimensions					G	sw	Weight [kg]	Order designation	Order No.
	d_1	d_2	l_1	l_2	l_3					
50	32	72	90	61	10	M16x1	8	4.7	22.508.50.32.Z	30337095

Dimensions in mm.

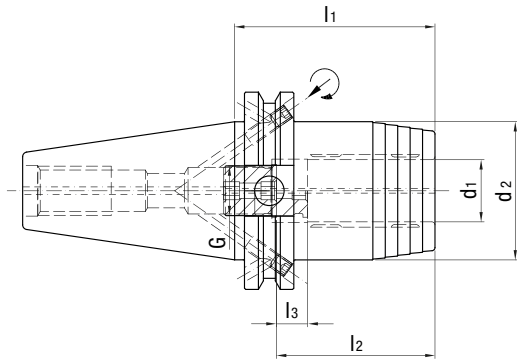
Basic form JD. Please indicate form JF (prev. B) in your order.

Spare parts and accessories at the end of this chapter.

Version with face connection on request. Custom designs available on request.

Hydraulic Chuck ANSI CAT 40

Inch & metric serie, short heavy duty design, coolant supply as per ISO 7388-1, Form AD/AF



Inch series

Nominal size CAT	Dimensions							G	sw	Weight [kg]	Order designation	Order No.
	d ₁		d ₂	l ₁		l ₂	l ₃					
	mm	inch	mm	mm	inch	mm	mm					
40	12.70	1/2	44.50	64	2.5197	46	10	M10X1	5	1.30	31.508.40.1/2".Z	30567887
40	15.88	5/8	44.50	64	2.5197	49	10	M12X1	5	1.30	31.508.40.5/8".Z	30567888
40	19.05	3/4	44.50	64	2.5197	51	10	M16X1	8	1.20	31.508.40.3/4".Z	30567889

Metric series

Nominal size CAT	Dimensions							G	sw	Weight [kg]	Order designation	Order No.
	d ₁		d ₂	l ₁		l ₂	l ₃					
	mm	inch	mm	mm	inch	mm	mm					
40	20.00	0.7874	44.50	64	2.5197	51	10	M16X1	8	1.20	31.508.40.20.Z	30560811

Dimensions in mm.

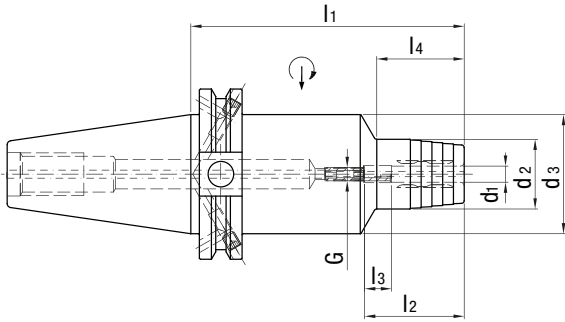
Basic form AD. Please indicate form AF (prev. B) in your order.

Spare parts and accessories at the end of this chapter. Custom designs available on request.

Adjusting and handling instructions, see chapter - Technical Appendix.

Hydraulic Chuck ANSI CAT 40

Inch & metric series, short narrow design, coolant supply as per ISO 7388-1, Form AD/AF



Inch series

Nominal size CAT	Dimensions									G	sw	Weight [kg]	Order designation	Order No.
	d ₁		d ₂	d ₃	l ₁		l ₂	l ₃	l ₄					
	mm	inch	mm	mm	mm	inch	mm	mm	mm					
40	6.35	1/4	26	44.50	101.60	4	37	10	32.50	M5	2.5	1.50	31.507.40.1/4".Z	30527980
40	9.53	3/8	30	44.50	101.60	4	41	10	41.50	M8x1	3	1.40	31.507.40.3/8".Z	30528097
40	12.70	1/2	32	44.50	101.60	4	46	10	41.50	M10x1	5	1.50	31.507.40.1/2".Z	30528100
40	15.88	5/8	38	44.50	101.60	4	49	10	49.50	M12x1	5	1.50	31.507.40.5/8".Z	30528103
40	19.05	3/4	42	44.50	101.60	4	51	10	49.50	M16x1	8	1.60	31.507.40.3/4".Z	30528105
40	25.40	1	55	61.00	101.60	4	57	10	66.50	M16x1	8	2.10	31.507.40.1".Z	30528108
40	31.75	1 1/4	61	61.00	101.60	4	61	10	-	M16x1	8	2.20	31.507.40.1_1/4".Z	30528111

Metric series

Nominal size CAT	Dimensions									G	sw	Weight [kg]	Order designation	Order No.
	d ₁		d ₂	d ₃	l ₁		l ₂	l ₃	l ₄					
	mm	inch	mm	mm	mm	inch	mm	mm	mm					
40	6.00	0.2362	26	44.50	101.60	4	37	10	32.50	M5	2.5	1.50	31.507.40.06.Z	30568102
40	8.00	0.3150	28	44.50	101.60	4	37	10	35.50	M6	3	1.50	31.507.40.08.Z	30568105
40	10.00	0.3937	30	44.50	101.60	4	41	10	41.50	M8X1	3	1.50	31.507.40.10.Z	30568106
40	12.00	0.4724	32	44.50	101.60	4	46	10	41.50	M10X1	5	1.50	31.507.40.12.Z	30568107
40	14.00	0.5512	34	44.50	101.60	4	46	10	49.50	M10X1	5	1.50	31.507.40.14.Z	30568110
40	16.00	0.6299	38	44.50	101.60	4	49	10	49.50	M12X1	5	1.60	31.507.40.16.Z	30568111
40	18.00	0.7087	40	44.50	101.60	4	49	10	49.50	M12X1	5	1.60	31.507.40.18.Z	30568112
40	20.00	0.7874	42	44.50	101.60	4	51	10	49.50	M16X1	8	1.60	31.507.40.20.Z	30568113
40	25.00	0.9843	55	65.00	101.60	4	57	10	66.00	M16X1	8	2.10	31.507.40.25.Z	30568114
40	32.00	1.2598	63	80.00	101.60	4	61	10	56.00	M16X1	8	2.20	31.507.40.32.Z	30568115

Dimensions in mm.

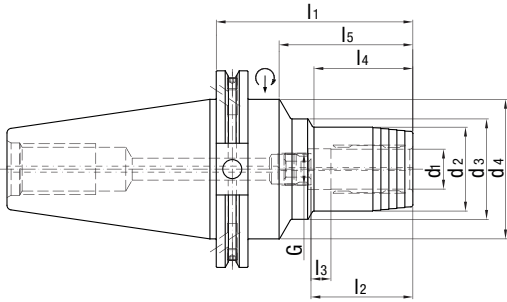
Basic form AD. Please indicate form AF (prev. B) in your order.

Spare parts and accessories at the end of this chapter. Custom designs available on request.

Adjusting and handling instructions, see chapter - Technical Appendix.

Hydraulic Chuck ANSI CAT 50

Inch & metric series, short narrow design, coolant supply as per ISO 7388-1, Form AD/AF



Inch series



Nominal size CAT	Dimensions										G	sw	Weight [kg]	Order designation	Order No.	
	d_1		d_2	d_3	d_4	l_1		l_2	l_3	l_4						l_5
	mm	inch	mm	mm	mm	mm	inch	mm	mm	mm						mm
50	6.35	1/4	26	69.85	50.25	101.60	4	37	10	32.50	60.50	M5	2.5	3.70	31.507.50.1/4".Z	30528020
50	9.53	3/8	30	69.85	50.25	101.60	4	41	10	36.00	60.50	M8x1	3	3.70	31.507.50.3/8".Z	30528120
50	12.70	1/2	32	69.85	50.25	101.60	4	46	10	41.50	60.50	M10x1	5	3.70	31.507.50.1/2".Z	30528128
50	15.88	5/8	38	69.85	50.25	101.60	4	49	10	47.50	60.50	M12x1	5	3.70	31.507.50.5/8".Z	30528132
50	19.05	3/4	42	69.85	50.25	101.60	4	51	10	49.50	60.50	M16x1	8	3.70	31.507.50.3/4".Z	30528135
50	25.40	1	57	69.85	63.00	101.60	4	57	10	49.50	64.00	M16x1	8	4.20	31.507.50.1".Z	30528138
50	31.75	1 1/4	64	69.85	-	101.60	4	61	10	65.00	-	M16x1	8	4.30	31.507.50.1_1/4 ".Z	30528142

Metric series

Nominal size CAT	Dimensions										G	sw	Weight [kg]	Order designation	Order No.	
	d_1		d_2	d_3	d_4	l_1		l_2	l_3	l_4						l_5
	mm	inch	mm	mm	mm	mm	inch	mm	mm	mm						mm
50	6.00	0.2362	26	69.85	50.30	101.60	4	37	10	32.50	60.50	M5	2.5	3.70	31.507.50.06.Z	30568274
50	8.00	0.3150	28	69.85	50.30	101.60	4	37	10	36.00	60.50	M6	3	3.70	31.507.50.08.Z	30568275
50	10.00	0.3937	30	69.85	50.30	101.60	4	41	10	36.00	60.50	M8X1	3	3.70	31.507.50.10.Z	30568277
50	12.00	0.4724	32	69.85	50.30	101.60	4	46	10	41.50	60.50	M10X1	5	3.70	31.507.50.12.Z	30568278
50	14.00	0.5512	34	69.85	50.30	101.60	4	46	10	41.50	60.50	M10X1	5	3.70	31.507.50.14.Z	30568281
50	16.00	0.6299	38	69.85	50.30	101.60	4	49	10	47.50	60.50	M12X1	5	3.70	31.507.50.16.Z	30568282
50	18.00	0.7087	40	69.85	50.30	101.60	4	49	10	47.50	60.50	M12X1	5	3.80	31.507.50.18.Z	30568284
50	20.00	0.7874	42	69.85	50.30	101.60	4	51	10	49.50	60.50	M16X1	8	3.80	31.507.50.20.Z	30568285
50	25.00	0.9843	57	69.85	63.00	101.60	4	57	10	49.50	64.00	M16X1	8	4.20	31.507.50.25.Z	30568286
50	32.00	1.2598	64	69.85	-	101.60	4	61	10	65.00	-	M16X1	8	4.30	31.507.50.32.Z	30568288

Dimensions in mm.

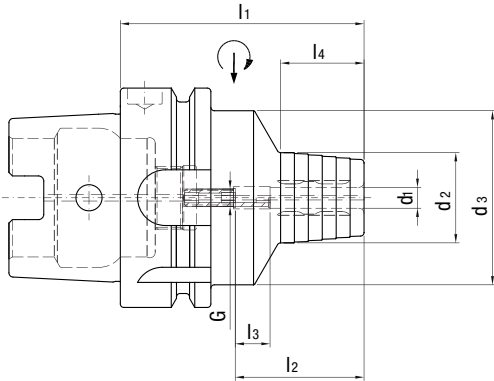
Basic form AD. Please indicate form AF (prev. B) in your order.

Spare parts and accessories at the end of this chapter. Custom designs available on request.

Adjusting and handling instructions, see chapter - Technical Appendix.

Hydraulic Chuck DIN 69893-A

Inch & metric series, short narrow design



Inch series

Nominal size HSK-A	Dimensions									G	sw	Weight [kg]	Order designation	Order No.
	d ₁		d ₂	d ₃	l ₁		l ₂	l ₃	l ₄					
	mm	inch	mm	mm	mm	inch	mm	mm	mm					
63	6.35	1/4	26	50	70	2.7559	37	10	24	M5	2,5	1.00	16.507.63.1/4".Z	30567931
63	9.53	3/8	30	50	80	3.1496	41	10	35	M8X1	3	1.10	16.507.63.3/8".Z	30567930
63	12.70	1/2	32	50	85	3.3465	46	10	40	M10X1	5	1.10	16.507.63.1/2".Z	30567929
63	19.05	3/4	42	50	90	3.5433	51	10	48	M16X1	8	1.30	16.507.63.3/4".Z	30567928
63	25.40	1	57	63	120	4.7244	57	10	59	M16X1	8	2.10	16.507.63.1".Z	30567927
63	31.75	1 1/4	64	75	125	4.9213	61	10	65	M16X1	8	2.40	16.507.63.1_1/4 ".Z	30567925

Metric series

Nominal size HSK-A	Dimensions									G	sw	Weight [kg]	Order designation	Order No.
	d ₁		d ₂	d ₃	l ₁		l ₂	l ₃	l ₄					
	mm	inch	mm	mm	mm	inch	mm	mm	mm					
63	6.00	0.2362	26	50	70	2.7559	37	10	24	M5	2.5	0.90	16.507.63.06.Z	30336832
63	8.00	0.3150	28	50	70	2.7559	37	10	25	M6	3	0.90	16.507.63.08.Z	30336837
63	10.00	0.3937	30	50	80	3.1496	41	10	35	M8x1	3	1.00	16.507.63.10.Z	30336842
63	12.00	0.4724	32	50	85	3.3465	46	10	40	M10x1	5	1.00	16.507.63.12.Z	30336847
63	14.00	0.5512	34	50	85	3.3465	46	10	40	M10x1	5	1.10	16.507.63.14.Z	30336852
63	16.00	0.6299	38	50	90	3.5433	49	10	46	M12x1	5	1.20	16.507.63.16.Z	30336857
63	18.00	0.7087	40	50	90	3.5433	49	10	47	M12x1	5	1.20	16.507.63.18.Z	30336862
63	20.00	0.7874	42	50	90	3.5433	51	10	48	M16x1	5	1.20	16.507.63.20.Z	30336867
63	25.00	0.9843	57	53	120	4.7244	57	10	63	M16x1	5	2.10	16.507.63.25.Z	30336873
63	32.00	1.2598	63	59	125	4.9213	61	10	61	M16x1	5	2.30	16.507.63.32.Z	30336875

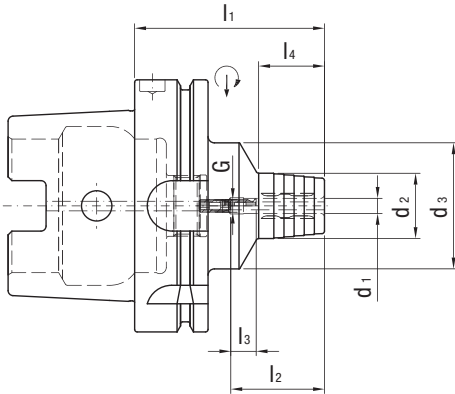
Dimensions in mm.

Spare parts and accessories at the end of this chapter.

MQL-capable design possible on request. Custom designs available on request.

Hydraulic Chuck DIN 69893-A

Inch & metric series, short narrow design



Inch series

Nominal size HSK-A	Dimensions									G	sw	Weight [kg]	Order designation	Order No.
	d ₁		d ₂	d ₃	l ₁		l ₂	l ₃	l ₄					
	mm	inch	mm	mm	mm	inch	mm	mm	mm					
100	31.75	1 1/4	64	75	110	4.3307	61	10	62	M16X1	8	3.7	16.507.100.1_1/4 ".Z	30567935

Metric series

Nominal size HSK-A	Dimensions									G	sw	Weight [kg]	Order designation	Order No.
	d ₁		d ₂	d ₃	l ₁		l ₂	l ₃	l ₄					
	mm	inch	mm	mm	mm	inch	mm	mm	mm					
100	6.00	0.2362	26	50	75	2.9528	37	10	26	M5	2.5	2.30	16.507.100.06.Z	30336784
100	8.00	0.3150	28	50	75	2.9528	37	10	26	M6	3	2.30	16.507.100.08.Z	30336788
100	10.00	0.3937	30	50	90	3.5433	41	10	42	M8x1	3	2.50	16.507.100.10.Z	30336792
100	12.00	0.4724	32	50	95	3.7402	46	10	47	M10x1	5	2.50	16.507.100.12.Z	30336796
100	14.00	0.5512	34	50	95	3.7402	46	10	47	M10x1	5	2.50	16.507.100.14.Z	30336800
100	16.00	0.6299	38	50	100	3.9370	49	10	53	M12x1	5	2.60	16.507.100.16.Z	30336802
100	18.00	0.7087	40	50	100	3.9370	49	10	53	M12x1	5	2.60	16.507.100.18.Z	30336806
100	20.00	0.7874	42	50	105	4.1339	51	10	59	M16x1	8	2.70	16.507.100.20.Z	30336808
100	25.00	0.9843	57	63	110	4.3307	57	10	62	M16x1	8	3.30	16.507.100.25.Z	30336812
100	32.00	1.2598	63	67	110	4.3307	61	10	60	M16x1	8	3.50	16.507.100.32.Z	30336814

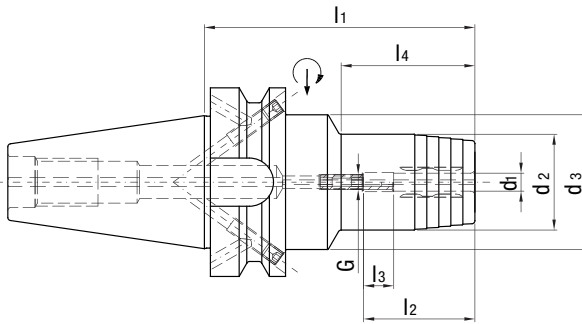
Dimensions in mm.

Spare parts and accessories at the end of this chapter.

MQL-capable design possible on request. Custom designs available on request.

Hydraulic Chuck ISO 7388-2 (JIS B6339)

Inch & metric series, short narrow design, coolant supply as per ISO 7388-2, Form JD/JF



Inch series

Nominal size BT	Dimensions									G	sw	Weight [kg]	Order designation	Order No.
	d_1		d_2	d_3	l_1		l_2	l_3	l_4					
	mm	inch	mm	mm	mm	inch	mm	mm	mm					
40	6.35	1/4	26	45	90	3.5433	37	10	43.50	M5	2.5	1.40	22.507.40.1/4".Z	30568334
40	9.53	3/8	30	45	90	3.5433	41	10	44.50	M8X1	3	1.40	22.507.40.3/8".Z	30568338
40	12.70	1/2	32	45	90	3.5433	46	10	44.50	M10X1	5	1.50	22.507.40.1/2".Z	30568330
40	15.88	5/8	42	45	90	3.5433	49	10	47.50	M12X1	5	1.40	22.507.40.5/8".Z	30568340
40	19.05	3/4	42	45	90	3.5433	51	10	47.50	M16X1	8	1.60	22.507.40.3/4".Z	30568336

Metric series

Nominal size BT	Dimensions									G	sw	Weight [kg]	Order designation	Order No.
	d_1		d_2	d_3	l_1		l_2	l_3	l_4					
	mm	inch	mm	mm	mm	inch	mm	mm	mm					
40	6.00	0.2362	26	49.50	90	3.5433	37	10	29	M5	2.5	1.50	22.507.40.06.Z	30336927
40	8.00	0.3150	28	49.50	90	3.5433	37	10	30	M6	3	1.60	22.507.40.08.Z	30336933
40	10.00	0.3937	30	49.50	90	3.5433	41	10	35	M8x1	3	1.60	22.507.40.10.Z	30336939
40	12.00	0.4724	32	49.50	90	3.5433	46	10	40	M10x1	5	1.60	22.507.40.12.Z	30336946
40	14.00	0.5512	34	49.50	90	3.5433	46	10	40	M10x1	5	1.60	22.507.40.14.Z	30336953
40	16.00	0.6299	38	49.50	90	3.5433	49	10	45	M12x1	5	1.60	22.507.40.16.Z	30336958
40	18.00	0.7087	40	49.50	90	3.5433	49	10	46	M12x1	5	1.60	22.507.40.18.Z	30336964
40	20.00	0.7874	42	49.50	90	3.5433	51	10	47	M16x1	8	1.60	22.507.40.20.Z	30336969
40	25.00	0.9843	55	52.00	90	3.5433	57	10	50	M16x1	8	1.90	22.507.40.25.Z	30336975
40	32.00	1.2598	63	62.00	90	3.5433	61	10	48	M16x1	8	2.10	22.507.40.32.Z	30336982

Dimensions in mm.

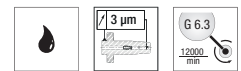
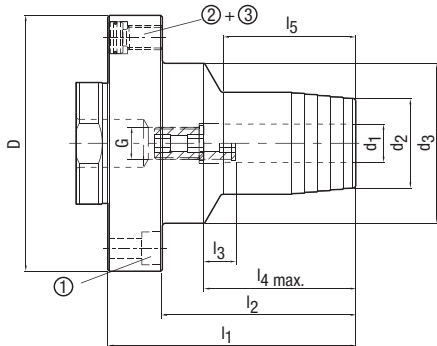
Basic form JD. Please indicate form JF (prev. B) in your order.

Spare parts and accessories at the end of this chapter.

Version with face connection on request. Custom designs available on request.

Hydraulic Chuck with radial and angular orientation

Module connection dimensions as per MN5000-14



Module diameter D	Dimensions								G	Weight [kg]	Order designation	Order No.
	d ₁	d ₂	d ₃	l ₁	l ₂	l ₃	l ₄ max.	l ₅				
60	6	26	42	65	52	10	37	34	M5	0.6	68.507.60.06.Z	30716685
60	8	28	42	65	52	10	37	35	M6	0.6	68.507.60.08.Z	30716687
60	10	30	42	70	57	10	41	40	M8x1	0.7	68.507.60.10.Z	30716688
60	12	32	42	75	62	10	46	46	M10x1	0.7	68.507.60.12.Z	30716691
80	12	32	50	77.5	60.5	10	47.5	41.5	M10x1	1.2	68.507.80.12.Z	30338153
80	16	38	50	82.5	65.5	10	52.5	47.5	M12x1	1.3	68.507.80.16.Z	30338154
80	20	42	50	82.5	65.5	10	52.5	49.5	M16x1	1.4	68.507.80.20.Z	30338155
100	25	57	63	100	79	10	61.5	61	M16x1	2.8	68.507.100.25.Z	30492397
117	32	64	75	103	82	10	65	60	M16x1	3.7	68.507.117.32.Z	30492399

Spare parts for Hydraulic Chuck with radial and angular orientation

Module diameter D	Quantity required	① Cylinder head screw as per ISO 4762			② Thrust piece	
		Size	Order designation	Order No.	Order designation	Order No.
60	4	M5x16 – 12.9	89.122.144	10003601	89.122.113	10040108
80	4	M6x20 – 12.9	89.122.112	10003619	89.122.113	10040108
100	4	M8x25 – 12.9	89.122.154	10003637	89.122.153	10075116
117	4	M8x25 – 12.9	89.122.154	10003637	89.122.153	10075116

Module diameter D	Quantity required	③ Grub screw		
		Size	Order designation	Order No.
60	4	M8x1x8	89.122.146	10040109
80	4	M8x1x8	89.122.114	10075074
100	4	M8x1x11.5	89.122.152	10075100
117	4	M10x1x14	89.122.152	10075100

Usage: For clamping tools with smooth cylindrical shanks in accordance with DIN 6535 Form HA up to \varnothing 32 mm as well as with recesses in accordance with DIN 1835 Form B, E and DIN 6535 Form HB, HE directly and without intermediate sleeves in the clamping diameter. The clamping diameter is designed for a shank tolerance of h6.

Supply includes: Complete with length adjustment screw, clamping screw, cylinder head screws (for fastening the chuck) and alignment screws (thrust pad and threaded pin).

Design: Longest tool lives and highest manufacturing quality on usage of smooth cylindrical shanks in accordance with DIN 1835 Form A and DIN 6535 Form HA. With a projection length of 2.5 x D (max. 50 mm) radial run-out accuracy 0.003 mm. Due to threaded pins (for alignment) in the machine spindle and in the HSK or ISO adapter, exactly adjustable for radial run-out. Due to thrust pad and threaded pin in the hydraulic chuck, exactly adjustable for axial run-out. On usage of cylindrical shanks with angled clamping surface (Form E and Form HE) the accuracy may be affected.

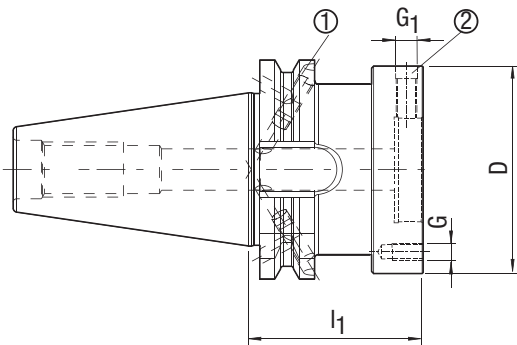
Note: Chuck with axial tool length adjustment. Coolant supply via central through-bore. Intermediate sleeves see section "Accessories, spare parts and measuring equipment". (The accuracy may be affected on the usage of the intermediate sleeve.)

Dimensions in mm.

Spare parts and accessories at the end of this chapter. Custom designs available on request.

Modular Short Taper Adapter ISO 7388-1, Form AD/AF

(prev. DIN 69871-AD/B)



Nominal size SK	Dimensions						Order designation	Order No.
	D	l ₁	G	G ₁	Form	Weight [kg]		
30*	60	50	M5	M8x1	AD	0.8	15.150.30.AD.60.Z	30584676
30*	70	50	M6	M8x1	AD	0.9	15.150.30.AD.70.Z	30584681
40	60	50	M5	M8x1	AD/AF	1.3	15.150.40.60.Z	30584684
40	70	50	M6	M8x1	AD/AF	1.4	15.150.40.70.Z	30584685
40	80	55	M6	M8x1	AD/AF	1.7	15.150.40.80.Z	30584686
40	100	60	M8	M10x1	AD/AF	2.2	15.150.40.100.Z	30584689
45	60	50	M5	M8x1	AD/AF	2.8	15.150.45.60.Z	30584690
45	70	50	M6	M8x1	AD/AF	2.9	15.150.45.70.Z	30584692
45	80	55	M6	M8x1	AD/AF	3.1	15.150.45.80.Z	30584694
45	100	60	M8	M10x1	AD/AF	3.3	15.150.45.100.Z	30584697
45	117	60	M8	M10x1	AD/AF	3.5	15.150.45.117.Z	30584698
50	60	50	M5	M8x1	AD/AF	3.2	15.150.50.60.Z	30584700
50	70	50	M6	M8x1	AD/AF	3.4	15.150.50.70.Z	30584701
50	80	50	M6	M8x1	AD/AF	3.6	15.150.50.80.Z	30584720
50	100	60	M8	M10x1	AD/AF	4.4	15.150.50.100.Z	30584721
50	117	60	M8	M10x1	AD/AF	4.5	15.150.50.117.Z	30584723
50	140	60	M10	M10x1	AD/AF	4.7	15.150.50.140.Z	30584724

* Short taper size SK 30 is not available in the combination design AD/AF!

Spare parts: Grub screws as per ISO 4026

Nominal size SK	Quantity required	① Cylinder head screw as per ISO 4026		
		Size	Order designation	Order No.
40/45/50	2	M5x5	89.122.688	10036757

Spare parts: Grub screws

Module diameter D	Quantity required	② Grub screw	
		Order designation	Order No.
60-80	4	89.122.685	10075355
100-140	4	89.122.684	10075099

Usage: For use in the machine spindle for mounting KS flange adapters, shrink chucks, hydraulic chucks, chucks for cylindrical shanks or tools with a modular shank in accordance with WTE works standard.

Supply includes: Complete with threaded pins for aligning the radial run-out, does not include pull stud.

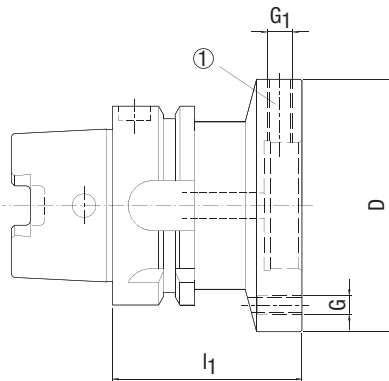
Design: Due to threaded pins the radial run-out of a connection or tool fitted can be adjusted exactly in relation to the steep taper.

Dimensions in mm.

Basic form AD. Please indicate form AF (prev. B) in your order.

Spare parts and accessories at the end of this chapter. Custom designs available on request.

Modular Short Taper Adapter HSK-A as per DIN 69893-A



Nominal size HSK-A	Dimensions					Order designation	Order No.
	D	l ₁	G	G ₁	Weight [kg]		
40	60	60	M5	M8x1	0.7	16.150.40.60.Z	30615827
50	60	60	M5	M8x1	0.9	16.150.50.60.Z	30584456
50	70	60	M6	M8x1	1	16.150.50.70.Z	30584465
50	80	60	M6	M8x1	1.1	16.150.50.80.Z	30584469
63	60	60	M5	M8x1	1.3	16.150.63.60.Z	30584473
63	70	60	M6	M8x1	1.4	16.150.63.70.Z	30584477
63	80	60	M6	M8x1	1.5	16.150.63.80.Z	30584478
63	100	65	M8	M10x1	2.1	16.150.63.100.Z	30584481
63	117	65	M8	M10x1	2.5	16.150.63.117.Z	30584482
80	60	50	M5	M8x1	1.6	16.150.80.60.Z	30584487
80	70	60	M6	M8x1	2	16.150.80.70.Z	30584489
80	80	60	M6	M8x1	2.1	16.150.80.80.Z	30584490
80	100	65	M8	M10x1	2.6	16.150.80.100.Z	30584491
80	117	65	M8	M10x1	3.1	16.150.80.117.Z	30584492
80	140	75	M10	M10x1	4.2	16.150.80.140.Z	30584493
100	60	55	M5	M8x1	2.8	16.150.100.60.Z	30584495
100	70	55	M6	M8x1	2.8	16.150.100.70.Z	30584497
100	80	55	M6	M8x1	3	16.150.100.80.Z	30584498
100	100	65	M8	M10x1	3.7	16.150.100.100.Z	30584499
100	117	65	M8	M10x1	4	16.150.100.117.Z	30584500
100	140	75	M10	M10x1	5.2	16.150.100.140.Z	30584502

Spare parts: Grub Screw for HSK-A adapter as per DIN 69893-A

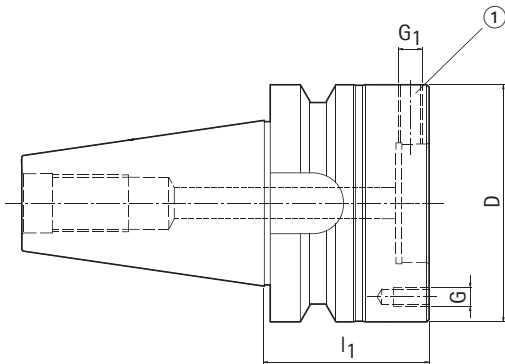
Module diameter D	Quantity required	① Grub Screw			
		Weight [kg]	Size	Order designation	Order No.
60-80	4	0.001	M8x1x16	89.122.685	10075355
100-140	4	0.001	M10x1x20	89.122.684	10075099

Supply includes: Complete with threaded pins for aligning the radial run-out, does not include coolant tube.

Dimensions in mm.

Spare parts and accessories at the end of this chapter. Custom designs available on request.

Modular Short Taper Adapter BT as per ISO 7388-2 (JIS B6339), Form JD



Nominal size BT	Dimensions					Order designation	Order No.
	D	l ₁	G	G ₁	Weight [kg]		
30	60	40	M5	M8x1	0.7	22.150.30.60.Z	30584725
30	70	40	M6	M8x1	0.8	22.150.30.70.Z	30584726
40	60	55	M5	M8x1	1.5	22.150.40.60.Z	30584734
40	70	55	M6	M8x1	1.6	22.150.40.70.Z	30584736
40	80	65	M6	M8x1	2	22.150.40.80.Z	30584751
40	100	70	M8	M10x1	2.6	22.150.40.100.Z	30584752
45	60	65	M5	M8x1	3	22.150.45.60.Z	30584755
45	70	65	M6	M8x1	3.1	22.150.45.70.Z	30584756
45	80	65	M6	M8x1	3.3	22.150.45.80.Z	30584757
45	100	75	M8	M10x1	3.5	22.150.45.100.Z	30584760
45	117	75	M8	M10x1	4.4	22.150.45.117.Z	30584762
50	60	70	M5	M8x1	4.8	22.150.50.60.Z	30584764
50	70	70	M6	M8x1	4.9	22.150.50.70.Z	30584765
50	80	70	M6	M8x1	5.1	22.150.50.80.Z	30584767
50	100	70	M8	M10x1	5.3	22.150.50.100.Z	30584769
50	117	80	M8	M10x1	6.3	22.150.50.117.Z	30584770
50	140	80	M10	M10x1	6.6	22.150.50.140.Z	30584772

Spare parts: Grub Screw for Modular Short Taper Adapter as per ISO 7388-2 (JIS B6339), Form JD

Module diameter D	Quantity required	① Grub Screw			
		Weight [kg]	Size	Order designation	Order No.
60-80	4	0.001	M8x1x16	89.122.685	10075355
100-140	4	0.001	M10x1x20	89.122.684	10075099

Usage: For use in the machine spindle for mounting KS flange adapters, shrink chucks, hydraulic chucks, chucks for cylindrical shanks or tools with a modular shank in accordance with WTE works standard.

Supply includes: Complete with threaded pins for aligning the radial run-out, does not include pull stud.

Design: Due to threaded pins the radial run-out of a connection or tool fitted can be adjusted exactly in relation to the steep taper.

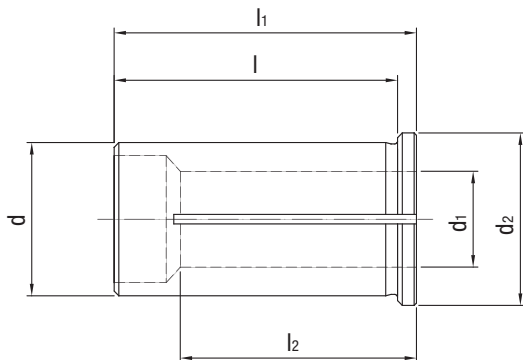
Dimensions in mm.

Spare parts and accessories at the end of this chapter.

Version with face connection on request. Custom designs available on request.

Reducing Sleeve, coolant sealed

With slits, for flexible diameter application

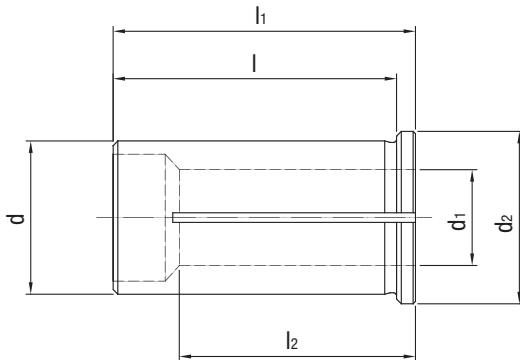


Dimensions							Order designation	Order No.
d	d ₁	d ₂	l	l ₁	l ₂	Weight [kg]		
12	1	16	40	44	20	0.04	40.456.12.01.Z	30503691
12	1.5	16	40	44	20	0.04	40.456.12.015.Z	30503718
12	2	16	40	44	20	0.04	40.456.12.02.Z	30503725
12	2.5	16	40	44	20	0.04	40.456.12.025.Z	30503728
12	3	16	40	44	29	0.03	40.456.12.03.Z	30251059
12	4	16	40	44	29	0.03	40.456.12.04.Z	30251060
12	5	16	40	44	29	0.03	40.456.12.05.Z	30251061
12	6	16	40	44	36	0.03	40.456.12.06.Z	30251062
12	7	16	40	44	37	0.03	40.456.12.07.Z	30251063
12	8	16	40	44	37	0.02	40.456.12.08.Z	30251064
12	9	16	40	44	37	0.02	40.456.12.09.Z	30251065
12	10	16	40	44	40	0.01	40.456.12.10.Z	30251066
20	3	25	50	54	28	0.1	40.456.20.03.Z	30251067
20	4	25	50	54	28	0.1	40.456.20.04.Z	30251068
20	5	25	50	54	28	0.1	40.456.20.05.Z	30251069
20	6	25	50	54	36	0.1	40.456.20.06.Z	30251070
20	7	25	50	54	38	0.1	40.456.20.07.Z	30251071
20	8	25	50	54	37	0.09	40.456.20.08.Z	30251072
20	9	25	50	54	38	0.09	40.456.20.09.Z	30251073
20	10	25	50	54	40	0.09	40.456.20.10.Z	30251074
20	11	25	50	54	40	0.08	40.456.20.11.Z	30251075
20	12	25	50	54	45	0.08	40.456.20.12.Z	30251076
20	13	25	50	54	45	0.07	40.456.20.13.Z	30251077
20	14	25	50	54	45	0.07	40.456.20.14.Z	30251078
20	15	25	50	54	45	0.06	40.456.20.15.Z	30251079
20	16	25	50	54	48	0.05	40.456.20.16.Z	30251080

Caution: Never clamp without tool - the reducing sleeve will be damaged!

Reducing Sleeve, coolant sealed

With slits, for flexible diameter application



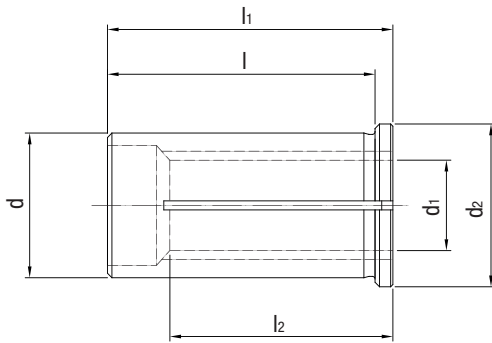
Dimensions							Order designation	Order No.
d	d ₁	d ₂	l	l ₁	l ₂	Weight [kg]		
25	3	30	56	60	29	0.18	40.456.25.03.Z	30251081
25	4	30	56	60	29	0.18	40.456.25.04.Z	30251082
25	5	30	56	60	29	0.18	40.456.25.05.Z	30251083
25	6	30	56	60	37	0.18	40.456.25.06.Z	30251084
25	7	30	56	60	37	0.18	40.456.25.07.Z	30251085
25	8	30	56	60	37	0.17	40.456.25.08.Z	30251086
25	9	30	56	60	38	0.17	40.456.25.09.Z	30251087
25	10	30	56	60	40	0.16	40.456.25.10.Z	30251088
25	12	30	56	60	46	0.15	40.456.25.12.Z	30251089
25	14	30	56	60	47	0.14	40.456.25.14.Z	30251090
25	16	30	56	60	48	0.13	40.456.25.16.Z	30251091
25	18	30	56	60	48	0.11	40.456.25.18.Z	30251092
25	20	30	56	60	50	0.09	40.456.25.20.Z	30251093
32	6	36	60	64	36	0.31	40.456.32.06.Z	30251094
32	7	36	60	64	37	0.31	40.456.32.07.Z	30251095
32	8	36	60	64	36	0.3	40.456.32.08.Z	30251096
32	9	36	60	64	37	0.3	40.456.32.09.Z	30251097
32	10	36	60	64	40	0.29	40.456.32.10.Z	30251098
32	11	36	60	64	40	0.28	40.456.32.11.Z	30251099
32	12	36	60	64	45	0.28	40.456.32.12.Z	30251100
32	13	36	60	64	45	0.28	40.456.32.13.Z	30251101
32	14	36	60	64	46	0.27	40.456.32.14.Z	30251102
32	15	36	60	64	46	0.26	40.456.32.15.Z	30251103
32	16	36	60	64	48	0.26	40.456.32.16.Z	30251104
32	17	36	60	64	48	0.25	40.456.32.17.Z	30251105
32	18	36	60	64	49	0.24	40.456.32.18.Z	30251106
32	19	36	60	64	49	0.23	40.456.32.19.Z	30251107
32	20	36	60	64	50	0.22	40.456.32.20.Z	30251108
32	22	36	60	64	50	0.19	40.456.32.22.Z	30251109
32	25	36	60	64	56	0.15	40.456.32.25.Z	30251110

Caution: Never clamp without tool - the reducing sleeve will be damaged!

Dimensions in mm.

Reducing Sleeve, KKB

With coolant bores, for flexible diameter application

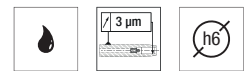
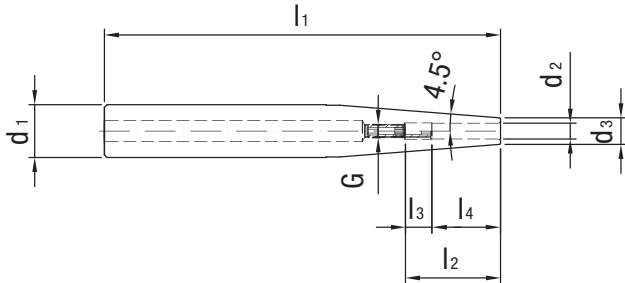


Dimensions							Order designation	Order No.
d	d ₁	d ₂	l	l ₁	l ₂	Weight [kg]		
12	3	16	40	44	29	0.03	40.456.12.03.KKB	30557343
12	4	16	40	44	29	0.03	40.456.12.04.KKB	30557344
12	5	16	40	44	29	0.03	40.456.12.05.KKB	30557345
12	6	16	40	44	36	0.03	40.456.12.06.KKB	30557346
12	8	16	40	44	37	0.02	40.456.12.08.KKB	30557347
20	3	25	50	54	28	0.1	40.456.20.03.KKB	30557348
20	4	25	50	54	28	0.1	40.456.20.04.KKB	30557350
20	5	25	50	54	28	0.1	40.456.20.05.KKB	30557351
20	6	25	50	54	36	0.1	40.456.20.06.KKB	30557352
20	8	25	50	54	37	0.09	40.456.20.08.KKB	30557353
20	10	25	50	54	40	0.09	40.456.20.10.KKB	30557354
20	12	25	50	54	45	0.08	40.456.20.12.KKB	30557355
20	14	25	50	54	45	0.07	40.456.20.14.KKB	30557356
20	16	25	50	54	48	0.05	40.456.20.16.KKB	30557358
32	6	36	60	64	36	0.31	40.456.32.06.KKB	30557359
32	8	36	60	64	36	0.3	40.456.32.08.KKB	30557360
32	10	36	60	64	40	0.29	40.456.32.10.KKB	30557361
32	12	36	60	64	45	0.28	40.456.32.12.KKB	30557362
32	14	36	60	64	46	0.27	40.456.32.14.KKB	30557364
32	16	36	60	64	48	0.26	40.456.32.16.KKB	30557365
32	18	36	60	64	49	0.24	40.456.32.18.KKB	30557366
32	20	36	60	64	50	0.22	40.456.32.20.KKB	30557367
32	25	36	60	64	56	0.15	40.456.32.25.KKB	30557369

Caution: Never clamp without tool - the reducing sleeve will be damaged!

Shrink Extension

As flexible adaptation, length adjustment screw (from \varnothing 6mm)
 Tool length as per customer request possible!



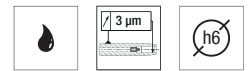
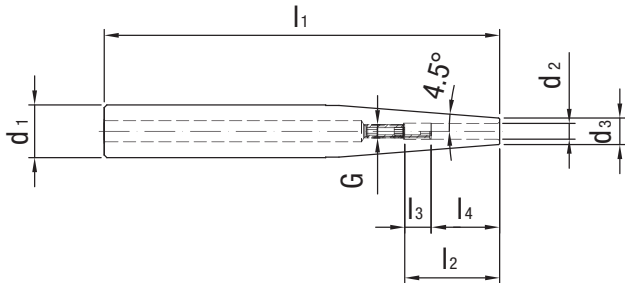
Dimensions							G	sw	Weight [kg]	Order designation	Order No.
d ₁	d ₂	d ₃	l ₁	l ₂	l ₃	l ₄					
12	3	8	150	-	-	12	-	0.1	-	40.357.12.03.Z	30344729
12	4	8	150	-	-	16	-	0.1	-	40.357.12.04.Z	30344730
12	5	10	150	-	-	20	-	0.1	-	40.357.12.05.Z	30344731
12	6	10	150	36	10	26	M5	2.5	0.1	40.357.12.06.Z	30344732
16	3	10	150	-	-	12	-	0.2	-	40.357.16.03.Z	30344733
16	4	10	150	-	-	16	-	0.2	-	40.357.16.04.Z	30344734
16	5	10	150	-	-	20	-	0.2	-	40.357.16.05.Z	30344735
16	6	10	150	36	10	26	M5	2.5	0.2	40.357.16.06.Z	30344736
16	8	12	150	36	10	26	M6	3	0.2	40.357.16.08.Z	30344737
20	3	10	150	-	-	12	-	0.3	-	40.357.20.03.Z	30344738
20	4	10	150	-	-	16	-	0.3	-	40.357.20.04.Z	30344739
20	5	10	150	-	-	20	-	0.3	-	40.357.20.05.Z	30344740
20	6	10	150	36	10	26	M5	2.5	0.3	40.357.20.06.Z	30344741
20	8	12	150	36	10	26	M6	3	0.3	40.357.20.08.Z	30344742
20	10	14	150	42	10	32	M8x1	3	0.3	40.357.20.10.Z	30344743
20	12	16	150	47	10	37	M10x1	5	0.3	40.357.20.12.Z	30344744

Dimensions in mm.
 Custom designs available on request.

Shrink Extension

As flexible adaptation, length adjustment screw (from \varnothing 6mm)

Tool length as per customer request possible



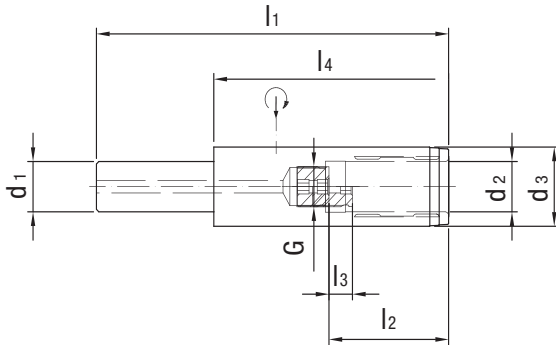
Dimensions							G	sw	Weight [kg]	Order designation	Order No.
d ₁	d ₂	d ₃	l ₁	l ₂	l ₃	l ₄					
25	3	10	150	-	-	12	-	0.5	-	40.357.25.03.Z	30344745
25	4	10	150	-	-	16	-	0.5	-	40.357.25.04.Z	30344746
25	5	15	150	-	-	20	-	0.5	-	40.357.25.05.Z	30344747
25	6	20	150	36	10	26	M5	2.5	0.5	40.357.25.06.Z	30344748
25	8	20	150	36	10	26	M6	3	0.5	40.357.25.08.Z	30344749
25	10	20	150	42	10	32	M8x1	3	0.5	40.357.25.10.Z	30344750
25	12	20	150	47	10	37	M10x1	5	0.5	40.357.25.12.Z	30344751
25	14	20	150	47	10	37	M10x1	5	0.4	40.357.25.14.Z	30344752
25	16	22	150	50	10	40	M10x1	5	0.4	40.357.25.16.Z	30344753
32	6	20	150	36	10	26	M5	2.5	0.8	40.357.32.06.Z	30344754
32	8	20	150	36	10	26	M6	3	0.8	40.357.32.08.Z	30344755
32	10	24	150	42	10	32	M8x1	3	0.8	40.357.32.10.Z	30344756
32	12	24	150	47	10	37	M10x1	5	0.8	40.357.32.12.Z	30344757
32	14	27	150	47	10	37	M10x1	5	0.8	40.357.32.14.Z	30344758
32	16	27	150	50	10	40	M10x1	5	0.8	40.357.32.16.Z	30344759
32	18	27	150	50	10	40	M10x1	5	0.7	40.357.32.18.Z	30337832
32	20	27	150	52	10	42	M10x1	5	0.7	40.357.32.20.Z	30337833

Dimensions in mm.

Custom designs available on request.

Hydraulic Expansion Extension

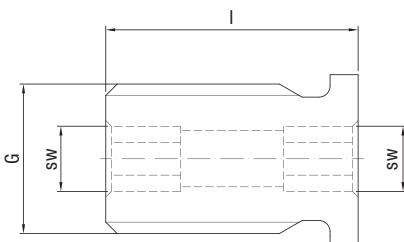
As flexible adaptation



Dimensions							G	sw	Weight [kg]	Order designation	Order No.
d_1	d_2	d_3	l_1	l_2	l_3	l_4					
20	12	25	150	46	10	100	M10x1	5	0.5	40.557.20.12.Z	30479021
20	20	31.5	150	51	10	100	M16x1	5	0.6	40.557.20.20.Z	30479022
32	20	31.5	150	51	10	90	M16x1	5	0.7	40.557.32.20.Z	30479024
32	20	31.5	200	51	10	90	M16x1	5	0.8	40.557.32.20.Z/200	30479025

Stop Screw direct clamping

For axial length adjustment

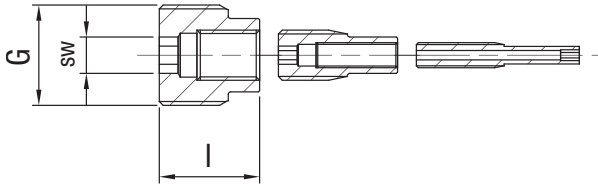


G	sw	l	Weight [kg]	Order designation	Order No.
M5	2.5	12.5	0.001	89.122.88	30252539
M6	3	12.5	0.002	89.122.89	30252540
M8x1	3	13.5	0.004	89.122.23	30252541
M10x1	5	13.5	0.006	89.122.90	30252542
M12x1	5	13.5	0.011	89.122.24	30252543
M16x1	5	13.5	0.017	89.122.19	30252544
M16x1	8	13.5	0.021	89.122.91	30252547

Dimensions in mm.

AAS Stop Screw

With the use of WTE Reducing Sleeves for axial length adjustment



AAS 12 for order designation 40.456.12.xx

Dimensions				Order designation	Order No.
G	sw	l	Weight [kg]		
M10x1	2.5	16	0.002	89.122.103	30308896
M4x0.5	1.5	26	0.001	89.122.101	30308901

AAS 20 for order designation 40.456.20.xx

Dimensions				Order designation	Order No.
G	sw	l	Weight [kg]		
M16x1	5	16	0.002	89.122.99	30308897
M8x1	2.5	19	0.002	89.122.100	30308899
M4x0.5	1.5	26	0.001	89.122.101	30308901

AAS 25 for order designation 40.456.25.xx

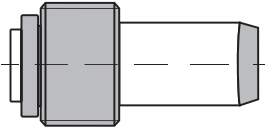
Dimensions				Order designation	Order No.
G	sw	l	Weight [kg]		
M16x1	5	20	0.002	89.122.104	30308904
M8x1	2.5	19	0.002	89.122.100	30308899
M4x0.5	1.5	26	0.001	89.122.101	30308901

AAS 32 for order designation 40.456.32.xx

Dimensions				Order designation	Order No.
G	sw	l	Weight [kg]		
M16x1	5	20	0.002	89.122.104	30308904
M8x1	2.5	19	0.002	89.122.100	30308899

Coolant Transfer Pipe

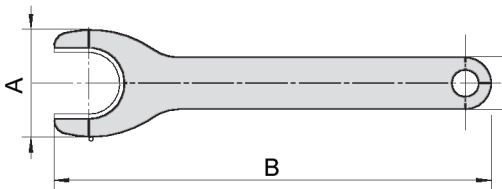
For DIN 69893-A/E



HSK	Weight [kg]	Order designation	Order No.
32	0.01	89.220.72	30326003
40	0.01	89.220.73	30326004
50	0.02	89.220.74	30326005
63	0.02	89.220.75	30326006
80	0.02	89.220.76	30326007
100	0.03	89.220.77	30326008

Extraction Key

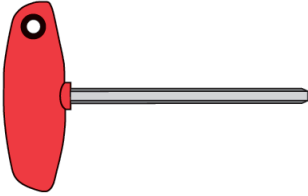
For easy extraction of the Reducing Sleeves from the WTE Hydraulic Chuck



For	A	B	Order designation	Order No.
HS 12	24.6	100	89.206.26	30251198
HS 20	38	160	89.206.27	30251199
HS 25	51	180	89.206.28	30251200
HS 32	63	200	89.206.29	30251201

Hexagonal T-key

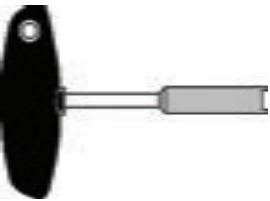
For axial length adjustment



sw	l	Weight [kg]	Order designation	Order No.
2.5	150	0.02	89.206.01	10034540
3	150	0.02	89.206.02	10013347
5	150	0.06	89.206.03	10041807
8	150	0.1	89.206.04	10041808

Assembly

For coolant transfer pipe



sw	Weight [kg]	Order designation	Order No.
32	0.01	89.206.20	10074750
40	0.01	89.206.21	10074751
50	0.01	89.206.22	10074752
63	0.01	89.206.23	10040110
80	0.02	89.206.24	10074774
100	0.02	89.206.25	10074775

Hexagonal T-key

For pressure input



sw	l	Weight [kg]	Order designation	Order No.
4	100	0.03	89.206.07	10006235
5	100	0.06	89.206.15	10006236



www.mecadiffusion.com